

## SELECTING MINERAL TANK JACKETS

MINERAL TANK JACKETS FIT 7", 8", 9" and 10" OD mineral tanks.

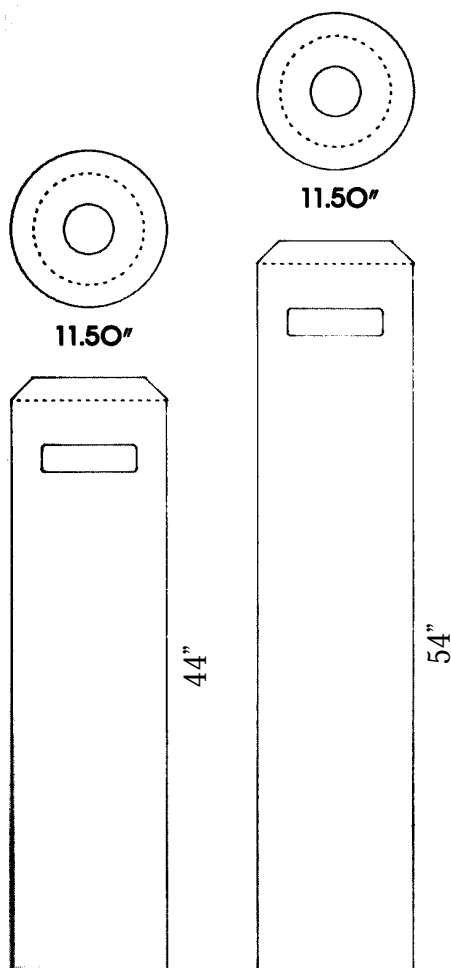


FIG. NO.	DESCRIPTION	PRICE
44614	Almond 11 1/2" OD x 44" long	
48774	Almond 11 1/2" OD x 54" long	

**FOR PRIVATE LABEL MOLD INSERTS  
AND CUSTOM COLORS, PLEASE  
CONSULT YOUR DUFF COMPANY  
WATER TREATMENT EXPERT 610-  
275-4453**

## SELECTING TANK JACKETS

MINERAL TANKS being used for softeners or filters are available in 2 styles.

**POLYGLASS** - inner shell constructed of polyethylene, externally wound with continuous fiberglass, roping to provide superior strength under pressures to 150 psi and 120°F temperature.

**POLYESTER FIBERGLASS REINFORCED PLASTIC (FRP)** - a seamless one piece molded vessel with no welds or joints. Designed for 150 psi and 120°F temp (vinylester FRP good for 150 psi and 150°F Temp). Size ranges are 6" diameter to 16" diameter.

POLYGLASS tanks are available from Structural Fibers North America, Park Industrial and Water Tech Division of Water Mark Group. Tank opening are available in top, bottom or side configurations.

POLYESTER AND VINYLESTER tanks are available from Structural Fibers North America.

**FOR MORE SPECIFIC INFORMATION, CONTACT DUFF COMPANY WATER TREATMENT DEPARTMENT  
AT 610-275-4453 FOR MORE DETAILED MINERAL TANK CATALOG**