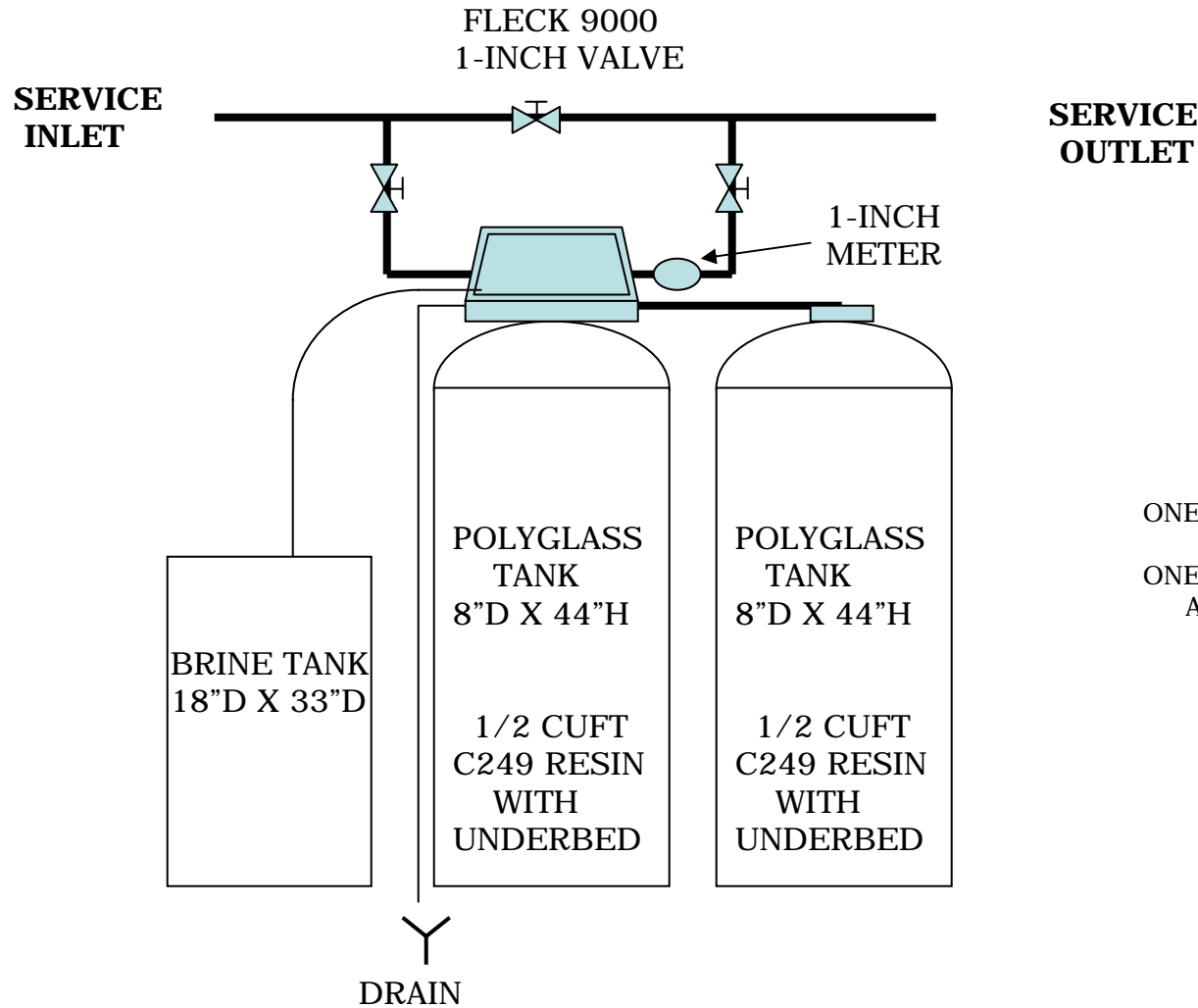


ALTERNATING TWIN WATER SOFTENER MODEL DT91F



SEQUENCE:

- ONE VALVE IN SERVICE.
- ONE VALVE IN REGENERATION
AND STAND-BY.

DUFF COMPANY	
DT91F	
23 JULY, 2002	LRZ