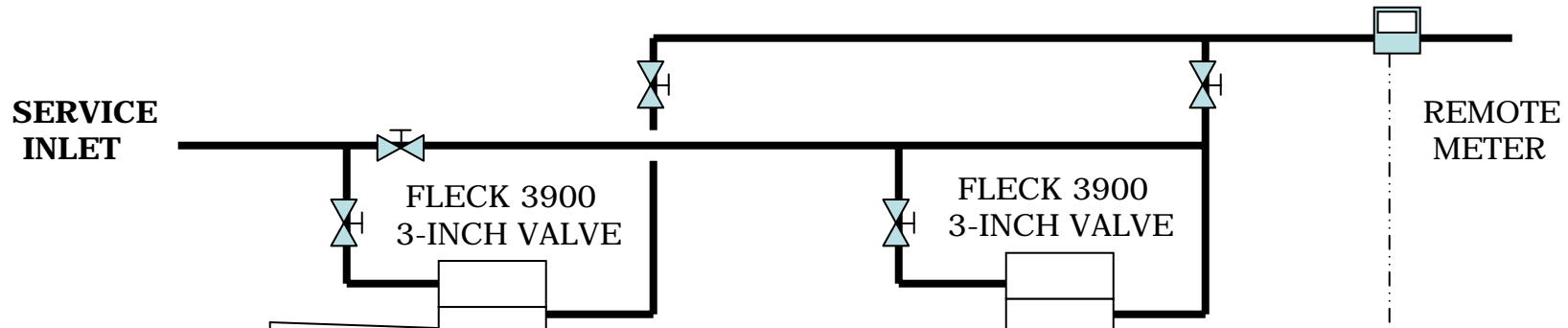


COMMERCIAL WATER SOFTENER MODEL DWC2400S73

**SERVICE
OUTLET**



STEEL TANK
66"D X 60"H

80 CUFT
C249 RESIN
WITH
UNDERBED

STEEL TANK
66"D X 60"H

80 CUFT
C249 RESIN
WITH
UNDERBED

50"D X 60"H
BRINE TANK
WITH
SAFETY
VALVE

SPECIFICATION
260 GPM FLOW

SYSTEM SEVEN
-ONE TANKS IN
SERVICE, ALWAYS

-ONE TANK IN
REGEN/STAND BY

| | |
|--------------|-----|
| DUFF COMPANY | |
| DWC2400S73 | |
| 17JULY, 02 | LRZ |

DRAIN

DRAIN