

# COMMERCIAL WATER SOFTENER MODEL DWC240S73

SERVICE  
OUTLET

SERVICE  
INLET

REMOTE  
METER

## SPECIFICATION

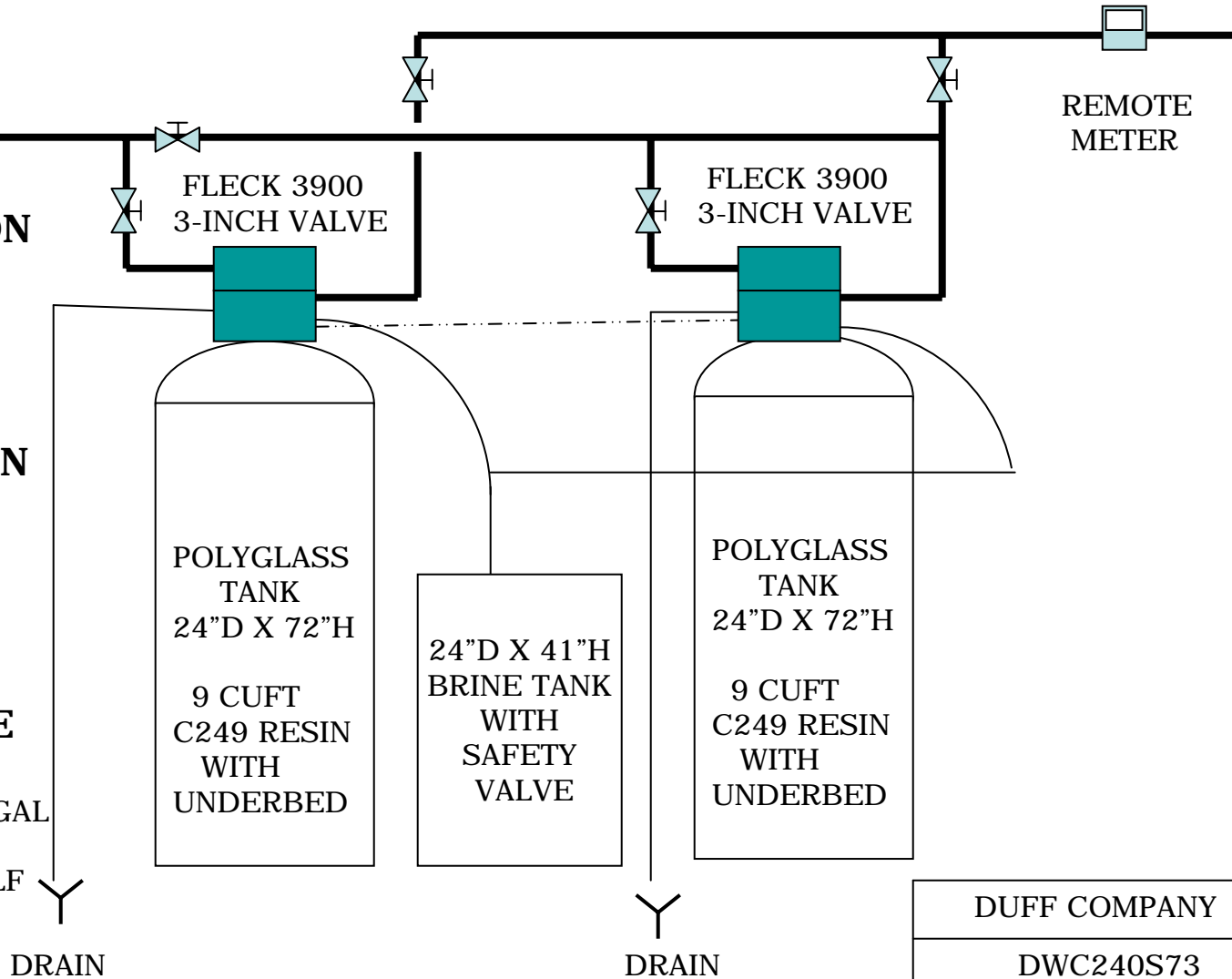
60 GPM FLOW  
7 GPG HARDNESS  
28K GPD TOTAL

## SYSTEM SEVEN

-ONE TANKS IN  
SERVICE, ALWAYS  
  
-ONE TANK IN  
REGEN/STAND BY

## PERFORMANCE

REGEN PER 38,000 GAL  
OR EVERY DAY  
AND HALF



DRAIN

DRAIN

SYSTEM SEVEN OPERATION 540,000 GRAIN

DUFF COMPANY	
DWC240S73	
27 JUNE, 02	LRZ