



Advanced ceramic disc valve for residential and light commercial use.

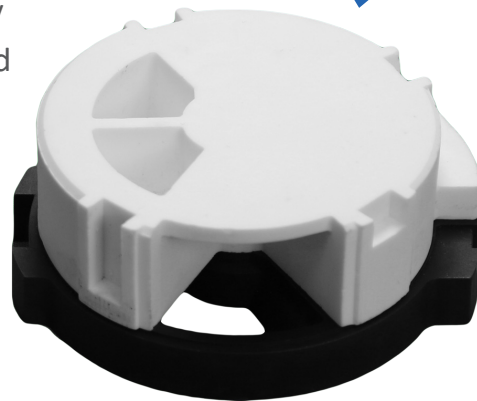
The DWC Ceramic Disc Control Valve is the most dependable and flexible valve on the market today. The patented ceramic disc design, with (7) seven advanced programming options and fully adjustable cycles, provides ultimate performance and reliability. DWC Disc Valves use up-flow regeneration to wash the media for a more efficient and effective cleaning.

Interlock features, signal outputs and twin-demand options are available to supply water 24/7. Advanced work modes are available with (4) four adjustable cycle sequences to achieve the exact configuration needed for any application.

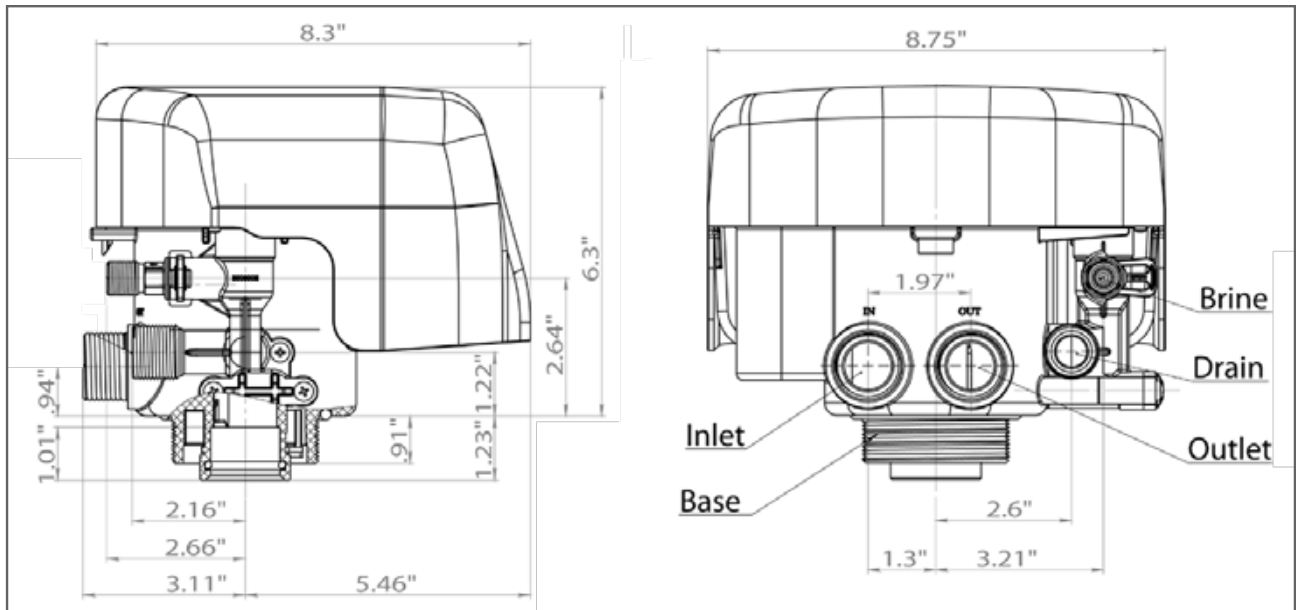
## DWC Disc Valve Features:

- Patented ceramic discs are corrosion and abrasion resistant for longer life and reduced maintenance.
- No wear parts to service or replace which means **no maintenance, disassembly or replacement parts needed!**
- 32mm (1-1/4") internals for high flow.
- Complete flexibility when programming grains capacity / salt dosage. Not constrained to limited, pre-programmed choices.
- Bright, easy to read LCD display.
- 72-hour memory backup for program functioning.
- No external controller required to operate multiple control heads or external devices.
- Valve can be used for either softener or backwashing filter.

**Ceramic discs are  
200x stronger than  
steel. Made to last  
a lifetime!**



This valve is Tested and Certified by NSF International against NSF/ANSI Standard 44 for materials and structural integrity requirements.



## Operational Specifications

Operational Pressure	Operational Water Temperature	Inlet Water Turbidity
20-120 psi	35°F-125°F	<5NTU

## Control Valve Parameters

Inlet / Outlet	Drain	Brine	Base	Riser Tube	Hard Water Bypass
3/4", 1" (DEFAULT), or 1-1/4"	3/4"	3/8"	2.5" - 8NPSM	32mm	Yes

Service @ 15 psi Drop	Peak Service @ 25 psi Drop	Peak Backwash @ 35 psi Drop
21 gpm	25.5 gpm	10.4 gpm