



Water Softeners Filter Units & Accessories

est. 1947

DUFF^{CO.}

When you need it now... or don't know how

PLUMBING & HEATING • PUMPS • WATER CONDITIONING
MULTIFAMILY HOUSING SUPPLIES



CATALOG

610-275-4453

duffcompany.com

NOTE: To be used as a guide only, as conditions vary greatly.

COMPENSATED HARDNESS

When sizing water conditioning equipment, the hardness should be based on compensated hardness. Compensated hardness takes into consideration minerals and other factors that will reduce the softening capacity of a softener. These items cannot be picked up in a standard hardness test. To arrive at compensated hardness, multiply the figure on the right by the hardness in grains per gallon by your test that fit into the hardness category on the left.

YOUR TEST HARDNESS	MULTIPLY BY
1-20	1.1
21-40	1.2
41-70	1.3
71-100	1.4
100-Plus	1.5

Always determine BOTH (1) Flow Rate and (2) Capacity in Total Grains.

SPACE AVAILABLE FOR EQUIPMENT

Length _____ Width _____ Height _____ Entrance door size _____
 Stairs _____ Hall _____ Any obstructions in path of entry of equipment _____
 Floor strength to hold weight of equipment _____. Floor drain size (ability to handle backwash water) _____. Water available for backwash or equipment installed _____.

S C H O O L S

(Estimated @ 25 gallons per day per student)

NUMBER OF STUDENTS	100	200	300	400	500	800	1,000
Total water usage	2,500	5,000	7,500	10,000	12,500	20,000	25,000
Peak flow with flush valves	60	90	120	150	180	250	300
Peak flow with flush tanks	30	50	80	90	100	130	160
Hot water only gallons per day	600	1,200	1,800	2,400	3,000	4,800	6,000
Hot water only gallons per minute	15	23	30	40	50	60	70

APARTMENTS/TRAILER PARKS

(Central laundry included. Based on 3 people @ 60 gallons per day)

NUMBER OF UNITS	4	5	6	8	10	15	20	30	40	50	100
Total water usage gallons per day	720	900	1,000	1,440	1,800	2,700	3,600	5,400	7,200	9,000	18,000
Gallons per minute peak flow with flush tanks (no lawn sprinkling)	22	25	30	40	50	75	90	110	125	140	220
Hot water only gallons per day	240	300	360	480	600	900	1,200	1,800	2,400	3,000	6,000
Hot water peak flow gallons per minute	12	15	20	26	30	45	55	65	75	85	110

MOTELS(Not Hotels)

Figures are based on 40 gallons per person per day. 2 1/2 people per unit, each unit containing a bathroom group. Estimate water usage for restaurant or cocktail bar facilities separately.

NUMBER OF UNITS	10	20	30	40	50	75	100	125	150
Total water usage gallons per day	1,000	2,000	3,000	4,000	5,000	7,500	10,000	12,500	15,000
Peak gallons per minute with flush valve	65	90	109	128	145	180	210	240	270
Peak gallons per minute with flush tanks	26	43	55	65	75	105	130	152	172
Hot water only gallons per day (estimate 16 gallons per person)	400	800	1,200	1,600	2,000	3,000	4,000	5,400	6,000
Hot water only flow gallons per minute	17	25	36	43	48	62	73	85	96

FLOW RATES USING FIXTURE COUNTS

Before recommending a softener it is important to determine soft water service flow requirements and volume in a given time period. Water meters are the best source for such data. Where meters are not used, flow rates and total requirements may be estimated using the basic information. After determining this information, a properly sized softening unit may be recommended.

Use FIXTURE UNIT TABLE and INTERMITTENT FLOW RATE TABLE for average and maximum flow rates in private and public buildings in gallons per minute. The unit flow rates are to be used when actual continuous and peak flow rates are not known.

The average rates may be used when line pressure less the conditioner pressure drop is at least 30 psi at the highest point of use in the building. [approximately 4 psi loss per story.]

The maximum rates are equal to the fixture count figures commonly used to size drains and are applicable especially in low water pressure areas where pressure drop is critical.

D E T E R M I N E F L O W R A T E

TYPE OF FIXTURE	UNIT FACTOR	
	PRIVATE	PUBLIC
Bar sink	1	2
Bathub/shower	2	4
Bedpan Washer	-	10
Bidet	2	4
Combination sink and tray	3	-
Dental unit or cuspidor	-	1
Dental lavatory	1	2
Drinking fountain	1	2
House bibb or sill cock (std. type)	3	5
House trailer (each)	6	6
Laundry tub or washer	2	4
Lavatory	1	2
Lawn sprinkler (each head)	1	1
Kitchen sink	2	4
Sink, service (janitor's)	2	4
Sink or domestic type dishwasher	2	4
Sink (flushing rim, clinic)	-	10
Sink (washup, each set of fixtures)	-	2
Sink (circular spray)	-	4
Urinal (wall or stand)	-	5
Urinal (flush tank)	-	3
Water closet (toilet):		
Flush valve	6	10*
Tank Type	3	5*

FIXTURE COUNT FACTOR	AVERAGE GPM	MAXIMUM GPM
5	4	5
10	6	8
15	8	12
20	10	15
25	12	18
30	14	21
40	17	25
50	20	29
75	24	37
100	31	44
150	40	56
200	50	65
250	58	75
300	65	84
350	72	93
400	79	110
450	85	120
500	91	130
600	103	150
700	114	165
900	124	180
900	134	200
1000	143	210
1200	162	240
1400	181	260
1600	198	685
1800	216	310
2000	240	330
2200	260	3545
2400	290	375
2600	300	395
2800	340	420
3000	380	440

NOTES:

- 1) For equipment not listed and likely to impose continuous demands (air conditioners, boilers, commercial dishwashers, etc.), estimate continuous supply and add to total flow rate for fixtures.
- 2) For fixtures not listed, unit factors may be estimated by comparing the fixture to listed one using water at a similar rate.
- 3) The given unit factors are for total demand for fixtures with both hot and cold water supplies. The unit factors for maximum hot water demand may be taken as 60% of the total unit factors.

DIRECTIONS:

- 1) Multiply the quantity of each type of fixture by its unit factor given in the UNIT TABLE.

PRIVATE - Apartments, trailers, homes, dorms, etc.
 PUBLIC - Hospitals, motels nursing homes, schools, etc.

- 2) Add the values found in step 1 to determine the total fixture units.
- 3) Determine flow rates required from INTERMITTENT FLOW RATE TABLE Example-School (public)

TYPE OF FIXTURE	QTY	UNIT FACTOR	TOTAL
Water closet (toilet)			
flush vlv	15	10	300
Lavatory	15	2	30
Shower	5	4	20

TOTAL UNITS = 350

Flow rate (from table) average - 72 gpm; max - 93 gpm

Duff Co. is an industry leader in water conditioning, treatment, filtration and purification. We manufacture residential, commercial and industrial systems, as well as supply all the parts and components. But what really sets us apart is the Duff Difference. We have the best, most experienced and most knowledgeable support staff in the country. We have unsurpassed technical abilities and understanding. Our system design services specialize in solutions for all your applications. And technical support is always available to solve your problems.

- Softeners, deionizers, dealkalizers, media and backwashing filters
- Specialty resins, filtration media and chemicals
- Cartridge housings and filters
- UV sterilizers
- RO units
- Chemical dosing and metering pumps
- Meters, gauges and instrumentation
- Centrifugal pumps for water distribution, circulation, pressure boosting, boiler feed, or skidded water treatment systems
- Mineral tanks, retention tanks and storage/solution tanks
- Plumbing fittings
- Test kits & tools



RESIDENTIAL SYSTEMS

Whether it's problem water or a problem with a piece of equipment, it's a safe bet that we've seen it before and know the solution. For residential and commercial water treatment dealers, our tech support has been there and done that; knowing what to install is only part of the battle, of course. That's why you can rely on us for all the best equipment in the industry.

Beyond the names you know – Clack, Pentair, Fleck, Autotrol, Structural Fibers, Pentek, Harmsco, Grundfos – we also offer certain premium proprietary systems. These product lines offer exclusive access to specialized systems, marketing support and individualized product literature, with advanced, private training opportunities.

Learn about the GE Avantapure and the Aquachamp dealer programs.



COMMERCIAL SYSTEMS

As an original equipment manufacturer (OEM) of water treatment systems and equipment, we build to your specifications. We also specify equipment. Give us a call or email us with the water conditions, and we can discuss what equipment is right for your application. From softeners to dealkalizers to filters; greensand to carbon to KDF; meter- or time clock initiated regeneration—no matter what the water chemistry, size requirements, or any other considerations: We have you covered. While we build many standard commercial units, they may vary in countless ways, including control valve, mineral tank size, mineral/resin, and so on. For detailed information on the control valves, as well as the other components in each unit, please flip through pages XX-XX



CARTRIDGE FILTERS

Choose Duff for all your cartridge component needs. We offer the largest variety of high performing products available.

That's why our customers rely on us as their one-stop-shop for all their filtration product needs.

MEDIA, RESIN & CHEMICALS

Softening, deionization, dealkalization—our water treatment specialists have expertise in virtually any ion exchange and adsorption technology. We are dedicated to providing our customers with the right media for the job. The high quality resins we use include anion, cation, mixed bed and specialty resins. Call us today and we'll help find the medium for your ion exchange or filtration application.

CONTROL VALVES

The brain of a water treatment system is often the multi-port control valve. If it's a Fleck, Clack or Autotrol valve, our water treatment experts have seen it, installed it, programmed it, performed troubleshooting on it, torn it down, fixed it, and repaired it. We have the best technical experts in the business, with the most experience and knowledge. Give us a call, and find out for yourself.

ULTRAVIOLET LIGHTS

We sell the highest quality UV disinfection systems to combat waterborne pathogenic organisms. Our UV systems kill bacteria, viruses, and other pathogens by preventing them from reproducing.

We also offer the widest selection of replacement bulbs and parts from every major manufacturer.

Autotrol Residential Water Softener Units



AUTOTROL							
Fig. No.	Description	Mineral Tank Size	Brine Tank Size	Valve Model	Meter/TC	Plumbing Connection	Capacity in Cu. Ft.
Autotrol 255 Valve							
112965	DWC24/255 .75FT3 SOFTENER	7x44	18x33	255/460TC	TC	3/4" SWT	0.75
112940	DWC24/255 .75FT3 MTR SOFTENER	7x44	18x33	255/460i	M	3/4" SWT	0.75
192329	DWC24/255 760LGX .75FT3 M SOFT	7x44	18x33	255/760 Logix	M	3/4" SWT	0.75
112968	DWC32/255 1FT3 SOFTENER	8x44	18x33	255/460TC	TC	3/4" SWT	1.0
177134	DWC32/255 1FT3 SOFTENER 1"	8X44	18X33	255/460TC	TC	1" SWT	1.0
149974	DWC32/255 1FT3 SHORT 37"H	FT12x29	18x33	255/460TC	TC	3/4" SWT	1.0
112949	DWC32/255 1FT3 MTR SOFTENER	8X44	18X33	255/460i	M	3/4" SWT	1.0
192325	DWC32/255 740LGX 1FT3 SOFTENER	8X44	18X33	255/740 Logix	TC	3/4" SWT	1.0
261307	DWC32/255 742LGX 1FT3 SOFTENER	8X44	18X33	255/742 Logix	TC	3/4" SWT	1.0
192330	DWC32/255 760LGX 1FT3 MTR SOFT	8X44	18X33	255/760 Logix	M	3/4" SWT	1.0
261306	DWC32/255 762LGX 1FT3 MTR SOFT	8X44	18X33	255/762 Logix	M	3/4" SWT	1.0
114072	DWC48/255 1.5FT3 SOFTENER	10X54	18X33	255/460TC	TC	3/4" SWT	1.5
177135	DWC48/255 1FT3 SOFTENER 1"	10X54	18X33	255/460TC	TC	1" SWT	1.5
112955	DWC48/255 1.5FT3 MTR SOFTENER	10X54	18X33	255/460i	M	3/4" SWT	1.5
192326	DWC48/255 740LGX 1.5FT3 SOFTEN	10X54	18X33	255/740 Logix	TC	3/4" SWT	1.5
192334	DWC48/255 760LGX 1.5FT3 M SOFT	10X54	18X33	255/760 Logix	M	3/4" SWT	1.5
261308	DWC48/255 762LGX 1.5FT3 M SOFT	10X54	18X33	255/762 Logix	M	3/4" SWT	1.5
Autotrol 268 Valve							
116749	DWC32/268 1FT3 SOFTENER	8X44	18X33	268/460TC	TC	3/4" SWT	1.0
109891	DWC32/268 1FT3 MTR SOFTENER	8X44	18X33	268/460i	M	3/4" SWT	1.0
192364	DWC32/268 760LGX MTR SOFTENER	8X44	18x33	268/760 Logix	M	3/4" SWT	1.0
131125	DWC48/268 1.5FT3 SOFTENER	10X54	18X33	268/460TC	TC	3/4" SWT	1.5
120370	DWC48/268 1.5FT3 MTR SOFTENER	10X54	18X33	268/460i	M	3/4" SWT	1.5
166686	DWC48/268 740LGX 1.5FT3 SOFTEN	10X54	18X33	268/740 Logix	TC	3/4" SWT	1.5
40743	DWC64/268 2FT3 SOFTENER	12X52	18X40	268/460TC	TC	3/4" SWT	2.0
39951	DWC64/268 2FT3 MTR SOFTENER	12X52	18X40	268/460i	M	3/4" SWT	2.0
192365	DWC64/268 760LGX 2FT3 MTR SOFT	12X52	18X40	268/760 Logix	M	3/4" SWT	2.0

Fleck Residential Water Softener Units



FLECK							
Fig. No.	Description	Mineral Tank Size	Brine Tank Size	Valve Model	Meter/TC	Plumbing Connection	Capacity in Cu. Ft.
Fleck 5600 Valve							
112990	DWC24/5600 .75FT3 SOFTENER	7x44	18x33	5600/12D	TC	3/4" FIP	0.75
146427	DWC24/5600SXT .75FT3 MTR SOFT	7x44	18x33	5600/SXT	M	3/4" FIP	0.75
112945	DWC32/5600 1FT3 SOFTENER	8X44	18X33	5600/12D	TC	3/4" FIP	1.0
42864	DWC32/5600 1FT3 MTR SOFT	8X44	18X33	5600 Mech	M	3/4" FIP	1.0
192579	DWC32/5600SXT 1FT3 MTR SOFT 1"	8X44	18X33	5600/SXT	M	1" FIP	1.0
271523	DWC32/5600SXT 1FT3 MTR SOFTENER	9X48	18X33	5600/SXT	M	3/4" FIP	1.0
132689	DWC32/5600SXT 1FT3 M SOFT 1840	9X48	18X40	5600/SXT	M	3/4" FIP	1.0
112950	DWC48/5600 1.5FT3 SOFTENER	10X54	18X33	5600/12D	TC	3/4" FIP	1.5
42867	DWC48/5600 1.5FT3 MTR SOFTENER	10X54	18X33	5600	M	3/4" FIP	1.5
271926	DWC48/5600SXT 1.5FT MTR SOFTEN	10X54	18X33	5600/SXT	M	3/4" FIP	1.5
42868	DWC64/5600 2FT3 SOFTENER	12X52	18X40	5600/12D	TC	1" FIP	2.0
42869	DWC64/5600 2FT3 MTR SOFT EXT	12X52	18X40	5600/Ext'd Rng.	EXT M	1" FIP	2.0
95251	DWC64/5600SXT 2FT3 MTR SOFTENE	12X52	18X40	5600/SXT	M	1" FIP	2.0
Fleck 2510 Valve							
112933	DWC24/2510 .75FT3 SOFTENER	7X44	18X33	2510	TC	3/4" FIP	0.75
113020	DWC32/2510 1FT3 SOFTENER	10X40	18x33	2510	TC	3/4" FIP	1.0
113021	DWC32/2510 1FT3 MTR SOFT EXT	10X40	18x33	2510/Ext'd Rng.	EXT M	3/4" FIP	1.0
112914	DWC48/2510 1.5FT3 SOFTENER	10X54	18X33	2510	TC	3/4" FIP	1.5
43596	DWC48/2510 1.5FT3 MTR SOFT EXT	10X54	18X33	2510/Ext'd Rng.	EXT M	3/4" FIP	1.5
43599	DWC64/2510 2FT3 SOFTENER	12X52	18X40	2510 TC	TC	1" FIP	2.0
Pentair Fleck 5800 Valve							
327808	DWC24/5800XTR2 .75FT3 MTR SOFT	7x44	18x33	5800/XTR2 Touch	M	3/4" FIP	0.75
309168	DWC32/5800SXT 1FT3 MTR SOFTENER	8x44	18x33	5800/SXT	M	3/4" FIP	1.0
327809	DWC32/5800XTR2 1FT3 MTR SOFTEN	8x44	18x33	5800/XTR2 Touch	M	1" FIP	1.0
327812	DWC48/5800XTR2 1.5FT3 MTR SOFT	10x54	18x33	5800/XTR2 Touch	M	1" FIP	1.5

Our Fleck builds come standard with a stainless steel bypass (other than on builds with the 5812 valve, which only use a plastic bypass).

Fleck Residential Water Softener Units



Fig. No.	Description	Ordering Code	Mineral Tank Size	Brine Tank Size	Valve Model	Meter/TC	Plumbing Connection	Capacity in Cu. Ft.
Fleck 5812 Valve								
328379	DWC90/5812XTR2 3FT3 SOFTENER	DWC905812XTR2	14x65	24x41	5812 XTR2 Touch	M	1" Swt	3.0
336668	DWC120/5812XTR2 4FT3 SOFTENER	DWC1205812XTR2	16x65	24x41	5812 XTR2 Touch	M	1" / 1-1/4" Swt	4.0
336669	DWC150/5812XTR2 5FT3 SOFTENER	DWC1505812XTR2	18x65	24x41	5812 XTR2 Touch	M	1" / 1-1/4" Swt	5.0



Fig. No.	Description	Ordering Code	Mineral Tank Size	Brine Tank Size	Valve Model	Meter/TC	Plumbing Connection	Capacity in Cu. Ft.
Fleck 6700 Valve								
106687	DWC48/6700 1.5 FT3 SOFTENER	DWC486700	10x54	18X33	6700	M	1" / 1-1/4" Swt	1.5

Our Fleck builds come standard with a stainless steel bypass (other than on builds with the 5812 valve, which only use a plastic bypass).

GRUNDFOS SP

Accessories

A complete system combines a stainless steel SP pump, an MS/MMS motor, a dedicated electronic motor protection unit or variable speed drive, and the Grundfos GO Remote.



Overview

Grundfos' range of submersible pumps (SP) is recognized worldwide for its reliable performance, high energy efficiency and long product life. Invented in 1967, the SP pump was the first ever stainless steel submersible pump – and to this day it remains the benchmark in the market.

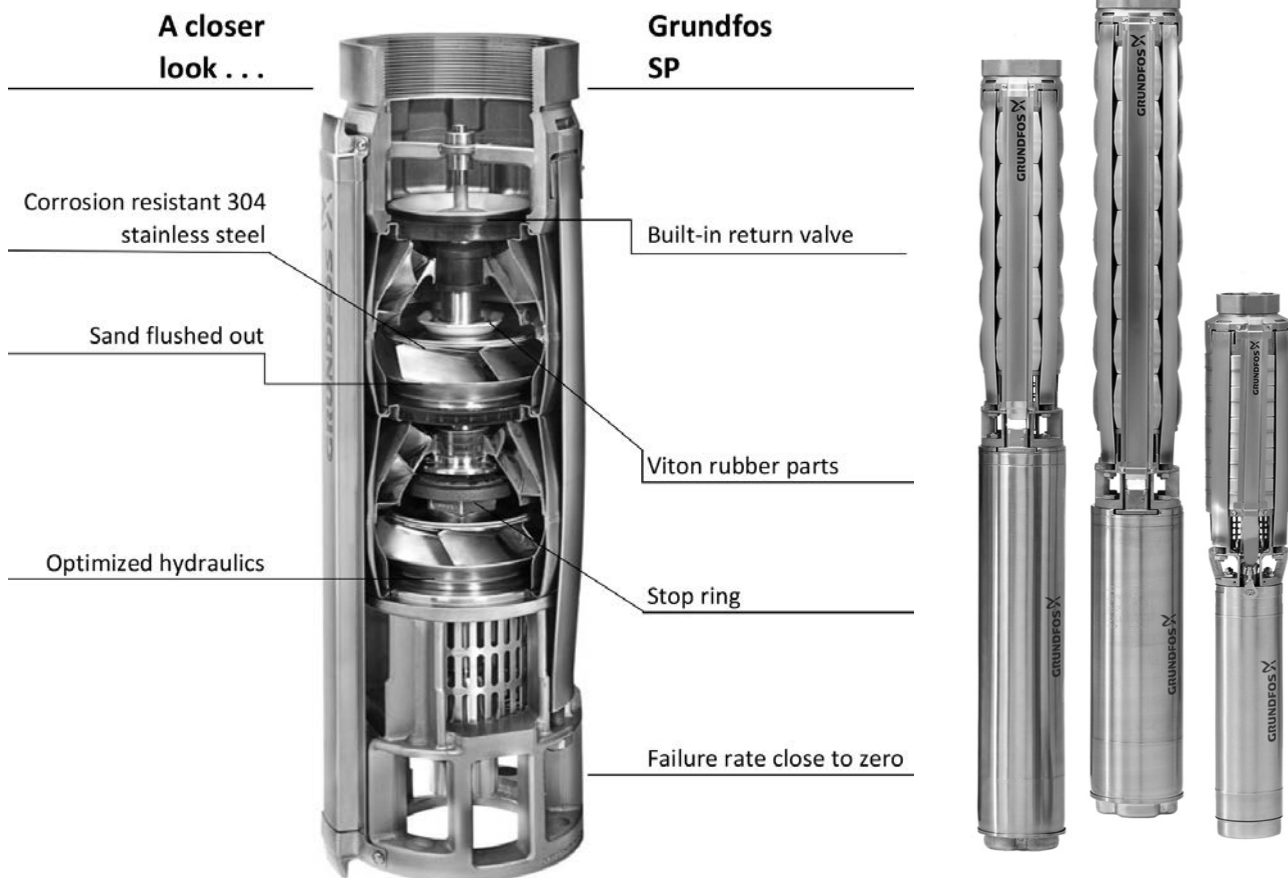
Reliable Operation

The SP pumps are made from 100% high-grade stainless steel to ensure efficient corrosion resistance and long product life in even the most demanding environments.

Sand-resistant bearings ensure consistent performance and prolong the pump's service life. Sand-resistant bearings are standard on all medium SP pumps (SP9, SP11, SP14) and can be supplied on all others on request.

Performance

The SP range is your guarantee for reliable water supply and is capable of handling flows up to 1,400 gpm (318 m³/h) and head up to 2,800 ft. (853 m). With the new, updated 4 range Grundfos can equip any application with a complete SP system to optimize performance and energy efficiency. Should you require more components to accommodate your specific needs the flexible system easily makes room for these.



Call or email us today for a complete Grundfos catalog, system sizing guides and performance curves.

Clack Residential Water Softener Units



CLACK							
Fig. No.	Description	Mineral Tank Size	Brine Tank Size	Valve Model	Meter/ TC	Plumbing Connection	Capacity in Cu. Ft.
Clack WS1 Valve							
112469	DWC32/WS1 1FT3 MTR SOFTENER	10X40	18X33	WS1	M	3/4" SWT	1.0
65393	DWC32/WS1UF 1FT3 PLUS MTR SOFT	10X40	14X14	WS1 Upflow	M	3/4" SWT	1.0
125156	DWC48/WS1 1.5FT3 MTR SOFTENER	10X54	18X33	WS1	M	1" SWT	1.5
65394	DWC48/WS1UF 1.5FT3 PLUS M SOFT	10X54	14X14	WS1 Upflow	M	1" SWT	1.5
146430	DWC64/WS1 2FT3 MTR SOFTENER	12X52	18X33	WS1	M	1" SWT	2.0
65861	DWC64/WS1UF 2FT3 PLUS MTR SOFT	12X52	14X14	WS1 Upflow	M	1" SWT	2.0
250760	DWC80/WS1 2.5FT3 MTR SOFTENER	13X54	18X40	WS1	M	1" SWT	2.5
199628	DWC90/WS1 3FT3 MTR SOFTENER	14X65	24X41	WS1	M	1" SWT	3.0
Clack WS1.25 Valve							
208078	DWC64/WS125 2FT3 MTR SOFTENER	12X52	14X14	WS1.25	M	1-1/4" - 1-1/2" SWT	2.0
Clack WS1.5 Valve							
320445	DWC80/WS15 2.5FT3 MTR SOFTENER	13X54	24X41	WS1.5	M	1.5" FIP	2.5
273998	DWC120/WS15 4FT3 MTR SOFTENER	16X65	24X41	WS1.5	M	1.5" FIP	4.0
320437	DWC210/WS15 7FT3 MTR SOFTENER	21X62	24X41	WS1.5	M	1.5" FIP	7.0
228156	DWC210/WS2 7FT3 TC SOFTENER	21X62	24X50	WS2EE	TC	2" FIP	7.0
269921	DWC300/WS2 10FT3 MTR SOFTENER	24X72	30X50	WS2EE	M	2" FIP	10.0
<p>"Clack valves offer many different connection types, including 90o elbow and straight fittings in PVC, sweat, quick connect (John Guest), Shark Bite-in sizes from 3/4" to 1-1/2". Clack valves are also available as either time clock or metered, and either downflow or upflow. Ask about the sun/battery powered option.</p>							
<p>For builds with the Clack WS2 Heavy and WS3 valves, see pages XX</p>							

CABINET WATER SOFTENERS

Cabinet-style water softeners are built for efficient use of space. Designed to fit underneath many kitchen cabinets, each unit features a salt tank with built-in mineral tank and control valve. Our standard cabinet unit accepts 35" tall mineral tanks, less their base (10 X 35 tank), to accommodate a full 1.0 cubic feet; 250 pounds of salt capacity; full dimensions: 13.5" wide x 22.5" deep x 35" tall (plus height of control valve).



Fig. No.	Description	Mineral Tank Size	Valve Model	Meter/TC	Plumbing Connection	Capacity in Cu. Ft.
194865	DWCC24/255MP .75FT3 M CAB SOFT	9X35	Autotrol 255/460i	M	3/4" SWT	0.75
40737	DWCC24/255 .75FT3 MTR CAB SOFT	9X35	Autotrol 255/4060TC	TC	3/4" SWT	0.75
40738	DWCC32/255 1FT3 CAB SOFTENER	10X35	Autotrol 255/460TC	TC	3/4" SWT	1.0
50459	DWCC32/255MP 1FT3 CAB MTR SOFT	10X35	Autotrol 255/460i	M	3/4" SWT	1.0
42876	DWCC32/5600 1FT3 CAB SOFTENER	10X35	Fleck 5600/TC	TC	3/4" FIP	1.0
82131	DWCC32/5600SXT 1FT3 M CAB SOFT	10X35	Fleck 5600/SXT	M	3/4" FIP	1.0
328269	DWCC32/5800SXRTRZ 1FT3 CAB SOFT	10X35	5800XRTRZ Tach	M	1" FIP	1.0

DWC TWIN SYSTEMS - Continuous Soft Water

Fig. No.	Description	Mineral Tank Size	Brine Tank Size	Valve	Plumbing Connection	Capacity in Cu. Ft. (per vessel)
Fleck 9000 Valve (brass body)						
147905	DT9100SXT 2FT3 TWIN SOFT 3/4"	10X40	18X33	9100/SXT	3/4" FIP	1.0
151017	DT9100SXT 3FT3 TWIN SOFT 3/4"	10X54	18X33	9100/SXT	3/4" FIP	1.5
148841	DT9100SXT 3FT3 TWIN SOFT 1"	10X54	18X33	9100/SXT	1" FIP	1.5
149931	DT9100SXT 4FT3 TWIN SOFT 1"	12X52	18X40	9100/SXT	1" FIP	2.0
153314	DT9100 5FT3 TWIN SOFT 1"	13X54	18X40	9100 Mech	1" FIP	2.5
148116	DT9100SXT 5FT3 TWIN SOFT 1"	13X54	18X40	9100/SXT	1" FIP	2.5
161305	DT9100SXT 6FT3 TWIN SOFT 1"	14X65	24X41	9100/SXT	1" FIP	3.0
Fleck 9100 Valve (plastic body)						
40893	DT9 1FT3 TWIN SOFT 3/4"	8X44	18X33	9000/Mech	3/4" FIP	0.5
43427	DT9 3FT3 TWIN SOFT 1"	10X54	18X33	9000/Mech	1" FIP	1.5
167197	DT9SXT 3FT3 TWIN SOFT 3/4"	10X54	18X33	9000/SXT	3/4" FIP	1.5
43428	DT9 4FT3 TWIN SOFT 1" EXT	12X52	18X40	9000/Mech Ext'd Rng.	1" FIP	2.0
189655	DT9SXT 4FT3 TWIN SOFT 1"	12X52	18X40	9000/SXT	1" FIP	2.0
40003	DT9 5FT3 TWIN SOFT 3/4"(1") EXT	13X54	18X40	9000/Mech Ext'd Rng.	3/4" FIP (with 1" FIP bypass)	2.5
43429	DT9 5FT3 TWIN SOFT 1" EXT	13X54	18X40	9000/Mech Ext'd Rng.	1" FIP	2.5
43430	DT9 6FT3 TWIN SOFT 1" EXT	14X65	24X41	9000/Mech Ext'd Rng.	1" FIP	3.0
63407	DT9 8FT3 TWIN SOFT 1"	16X65	24X41	9000/Mech Ext'd Rng.	1" FIP	4.0
165656	DT9SXT 8FT3 TWIN SOFT 1"	16X65	24X41	9000/SXT	1" FIP	4.0
304862	DT9SXT 10FT3 TWIN SOFT 1"	18X65	24X41	9000/SXT	1" FIP	5.0

DWC TWIN SYSTEMS - Continuous Soft Water



Fleck 9000 Valve (brass body)



Fleck 9100 Valve (plastic body)



Fig. No.	Description	Mineral Tank Size	Brine Tank Size	Valve	Plumbing Connection	Capacity in Cu. Ft. (per vessel)
Fleck 9500 Valve (brass body)						
274738	DT95 5FT3 TWIN SOFT 1-1/2" EXT	13X54	24X41	9500/Mech Ext'd Rng.	1-1/2" FIP	2.5
47882	DT95 4FT3 TWIN SOFT 1-1/2"	12X52	18X40	9500/Mech	1-1/2" FIP	2.0
199813	DT95SXT 4FT3 TWIN SOFT 1-1/2"	12X52	18X40	9500/SXT	1-1/2" FIP	2.0
136617	DT95SXT 6FT3 TWIN SOFT 1-1/2"	14X65	24X41	9500/SXT	1-1/2" FIP	3.0
47883	DT95SXT 6FT3 TWIN SOFT 1-1/2"	16X65	24X41	9500/SXT	1-1/2" FIP	3.0
47884	DT95 8FT3 TWIN SOFT 1-1/2" EXT	16X65	24X41	9500/Mech Ext'd Rng.	1-1/2" FIP	4.0
264764	DT95SXT 8FT3 TWIN SOFT 1-1/2"	16X65	24X41	9500/SXT	1-1/2" FIP	4.0
47885	DT95SXT 10FT3 TWIN SOFT 1-1/2"	18X65	24X50	9500/SXT	1-1/2" FIP	5.0
201518	DT95 12FT3 TWIN SOFT 1-1/2"	21X62	24X50	9500/Mech	1-1/2" FIP	6.0
195200	DT95SXT 14FT3 TWIN SOFT 1-1/2"	21X62	24X50	9500/SXT	1-1/2" FIP	7.0
60710	DT95 20FT3 TWIN SOFT 1-1/2"EXT	24X72	30X50	9500/Mech Ext'd Rng.	1-1/2" FIP	10.0

Our Fleck builds come standard with a stainless steel bypass (other than on builds with the 5812 valve, which only use a plastic bypass).

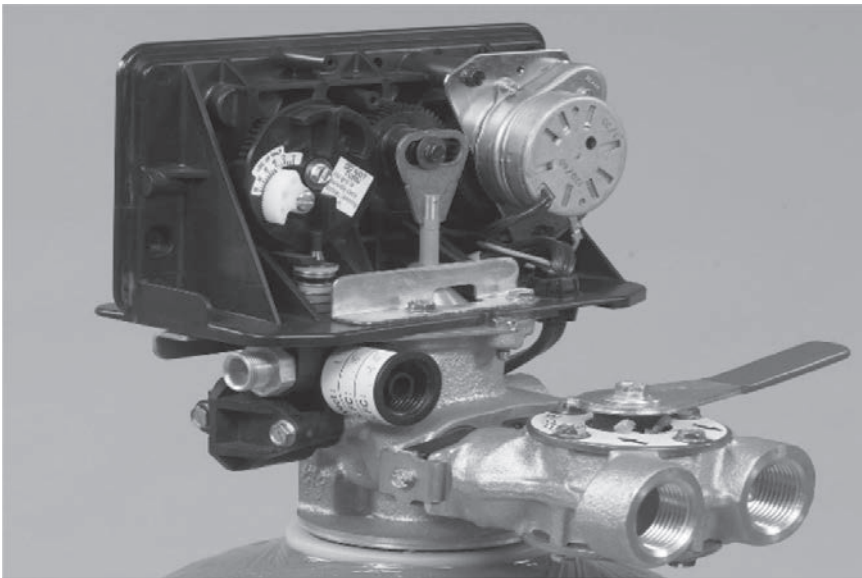


Clack WS1 Twin Valve (plastic body)						
Fig. No.	Description	Mineral Tank Size	Brine Tank Size	Valve	Plumbing Connection	Capacity in Cu. Ft. (per vessel)
266491	DTWS1EE 3FT3 SOFT 1"	10x44	18x33	WS1 Twin	1" SWT	1.5



For larger, and commercial, standard water softener units see page **XX**.

DWC SPECIALTY MODELS



The Fleck 4650 control valve used on this build, along with the brass air check, is rated for temperatures up to 180°F, while the vinylester can withstand temperatures up to 150°F (regular polywound tanks can withstand temperatures up to 120°F and FRP tanks, 140°F). These builds are also available with stainless steel tanks.



Fig. No.	Description	Mineral Tank Size	Brine Tank Size	Plumbing Connection	Capacity in Cu. Ft.
53349	DWC16H .5FT3 HOT WATER SOFTENE	FRP 10X19	18X33	3/4" FIP	0.5
40747	DWC32H 1FT3 HOT WATER SOFTENER	FRP 10X40	18X33	3/4" FIP	1.0
40748	DWC48H 1.5FT3 HOT WATER SOFTEN	FRP 10X54	18X33	3/4" FIP	1.5

**DUFF
DELIVERS**



See pages **XX**
for many, many
other filtration
units.

**WE'RE FLEXIBLE!
CUSTOM SYSTEMS
ARE OUR SPECIALTY!**

**Call or email your
DUFF rep today!**

**610-275-4453
info@duffco.com**





FINE MESH RESIN SOFTENER

Fine mesh resin is composed of physically smaller resin beads which let the bed pack closer together to eliminate potential air voids. Furthermore, the fact that there's greater surface area, there is greater exchange capacity with fine mesh, as compared to regular resin. Fine mesh resin can thus theoretically remove dissolved iron. This unit includes a special riser screen with smaller slots (a gravel bed would also accomplish the same) to avoid resin migration.

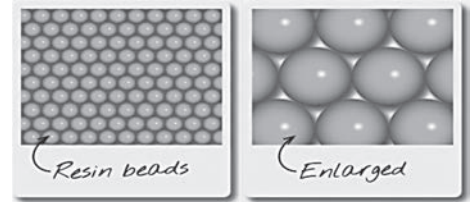


Fig. No.	Description	Mineral Tank Size	Brine Tank Size	Valve	Plumbing Connection	Capacity in Cu. Ft.
47761	DWC32/255 1FT3 FINE MESH	9X48	18X33	Autotrol 255/460TC	3/4" SWT	1.0
316207	DWC32/5800XTR2 1FT3 FINE MESH	9x48	18x33	Fleck 5800/XTR2 Touch M	1" FIP	1.0
47944	DWC48/255 1.5FT3 FINE MESH SOF	10X54	18X33	Autotrol 255/460TC	3/4" SWT	1.5
144796	DWC48/255MP 1.5FT3 FINE MESH	10X54	18X33	Autotrol 255/440i M	3/4" SWT	1.5
57624	DWC48/5600 1.5FT3 FINE MESH	10X54	18X33	Fleck 5600/12D	3/4" FIP	1.5
181532	DT9100SXT 1.5FT3 FINE MESH SOF	10x54 (2x)	18x33	Fleck 9100/SXT	1" FIP	1.5

NITRATE REMOVAL SYSTEM

Removes nitrates with ResinTech's SIR-100HP, which is a nitrate select anion resin, with a higher affinity for nitrate than other anions. his results in higher operating capacity, lower leakage, and freedom from nitrate dumping if operated past sulfate break. SIR-100-HP is intended for all nitrate removal applications, and can also be used to remove perchlorate. SIR-100-HP is supplied in the chloride form.

Nitrate Removal System						
Fig. No.	Description	Min-eral Tank Size	Brine Tank Size	Valve	Plumbing Connection	Capacity in Cu. Ft.
48665	DWC32/255 1FT3 NITRATE SYSTEM	9X48	18X33	Autotrol 255/460TC	3/4" SWT	1.0
43257	DWC32/5600 1FT3 NITRATE SYSTEM	9X48	18X33	Fleck 5600/12D	3/4" FIP	1.0
268561	DWC48/255 1.5FT3 NITRATE SYSTEM	10X54	18X33	Autotrol 255/460TC	3/4" SWT	1.5
79422	DWC48/255MP 1.5FT3 NITRATE MTR	10X54	18X33	Autotrol 255/460TC	3/4" SWT	1.5



UPFLOW "CITY" KDF SOFTENER - CHLORINE REMOVAL

Resin & KDF 55 combine to reduce up to 99% of water-soluble lead, mercury, chromium, and other dissolved metals. Upflow systems, with an upflow valve like the Clack one in this build, allows the media to function at greater efficiency than conventional regenerations.

Fig. No.	Description	Mineral Tank Size	Brine Tank Size	Valve	Plumbing Connection	Capacity in Cu. Ft.
192458	DWC32/WS1UF 1FT3 PLUS K55 SOFT	10X40	14X14	Clack WS1 Upflow	3/4" SWT	1.0
166999	DWC48/WS1UF 112FT3 PLS K55 SOF	10X54	14X14	Clack WS1 Upflow	3/4" SWT	1.5

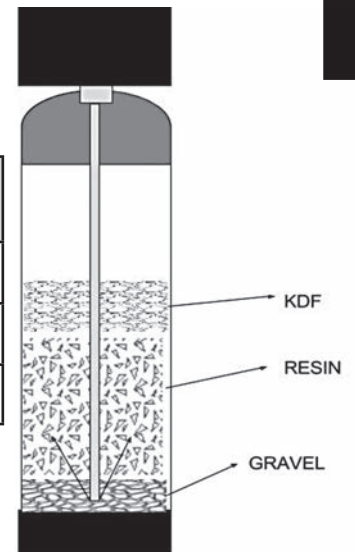
Clack valves offer many different connection types, including 90° elbow and straight fittings in PVC, sweat, quick connect (John Guest), Shark Bite — in sizes from 3/4" to 1-1/2".



KDF 55 APPLICATIONS
Chlorine, Heavy Metal Removal and Bacteria



KDF 85 APPLICATIONS
Iron and Hydrogen Sulfide Removal



PRE-BUILT STANDARD WATER FILTRATION UNITS

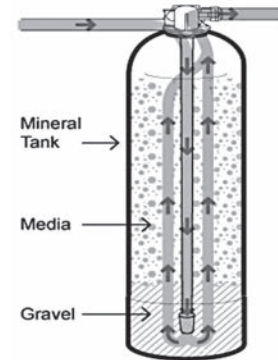
Iron, metals, taste/odor, hydrogen sulfide, acidity, manganese--we've seen it all. As a custom OEM, we can diagnose the problem water and come up with a specially tailored solution. We offer a variety of standard equipment, all fully customizable -- from control valve to media, plus many other specifications. The below charts show our most popular filtration units. Please inquire about your custom solution today.

DWC UPFLOW FILTERS

"These "in/out" head units allow incoming water to flow down the riser tube, to be released at the bottom of the tank. It slowly works its way up through the bed and is collected at the top to exit the filter. Features include:

- Use no electricity
- Save water - no backwashing
- No drain required
- Simple to install
- Adjust pH of acidic water without extra pumps
- Easy media replenishment

Use with clean, filtered water (e.g., sediment filter) to avoid dirt fouling media bed.



"DUN" UPFLOW ACID NEUTRALIZERS (LESS MEDIA)

DUN Series Upflow Neutralizers virtually eliminate the possibility of media bed "cementing" because the water to be treated actually "up-flows" through the neutralizer media bed! This procedure requires NO electricity or backwashing. All fill cap in the media tank top permits easy replenishment of the sacrificial neutralizing media.

The DUN Series Upflow Neutralizers can be built with a variety of in/out heads, although the most popular are the D1400 and the D7171 heads. The D1400 fits with the Clack WS1 bypass and features 1/4" FPT air vent port which can be drilled out to accept an air relief valve. The 1" Head is fully ported to provide maximum flow rates, and accepts 1.05mm O.D. pipe. When we build a DUN Upflow Neutralizer with this head, we also include the WS1 bypass assembly and 1" copper sweat adapters.

The D7171 is designed for riser pipe size 13/16" (3/4" FIP inlet/outlet). For riser pipe size 1.05mm (1" FIP inlet/outlet), we can substitute in the D1226. Please make sure to specify if you want an in/out head different than what comes standard on the below units.



D1400 Head

Fig. No.	Description	Mineral Tank Size	In/Out Head	Capacity in Cu. Ft.
139155	DUN 1FT3 UPFLOW DH L/M W/BYPAS	10x40DP	D1400 with bypass & 1" SWT tails; 1.05mm	1.0
40880	DUN 1FT3 UPFLOW DH L/M L/ BYPAS	10x44DP	D7171 (no bypass), 3/4" FIP; 13/16"	1.0
40881	DUN 1.5FT3 UPFLOW DH L/M L/BYP	10x54DP	D7171 (no bypass), 3/4" FIP; 13/16"	1.5
68989	DUN 1.5FT3 UPFLO DH L/M L/BP 1	10x54DP	D1226 (no bypass), 1" FIP; 1.05mm	1.5
132725	DUN 1.5FT3 UPFLOW DH L/M W/BYPAS	10x54DP	D1400 with bypass & 1" SWT tails; 1.05mm	1.5
39967	DUN 2FT3 UPFLOW DH L/M L/ BYPAS	12x52DP	D7171 (no bypass), 3/4" FIP; 13/16"	2.0
76997	DUN 3FT3 UPFLOW DH L/M L/ BYPAS	13x54DP	D7171 (no bypass), 3/4" FIP; 13/16"	3.0

"DUC" UPFLOW CARBON UNITS

DUC Series Upflow Carbon Units are a simple, low-cost method for treating city water to remove chlorine taste and odor. These upflow filters require no electricity and require no drain connections to operate. The water simply enters the tank down the center of the tank and comes up through the activated carbon media, lifting the media to prevent any channeling.



D7171/1226 Head

Fig. No.	Description	Mineral Tank Size	In/Out Head	Capacity in Cu. Ft.
39958	DUC 1FT3 AC UPFLOW L/ BYPASS	10x40	D7171 (no bypass), 3/4" FIP; 13/16"	1.0
134951	DUC 1FT3 AC UPFLOW W/ BYPASS	10x40	D1400 with bypass & 1" SWT tails; 1.05mm	1.0
40879	DUC 1.5FT3 AC UPFLOW L/ BYPASS	10x54	D7171 (no bypass), 3/4" FIP; 13/16"	1.5
115034	DUC 1.5FT3 AC UPFLO L/ BYPAS 1"	10x54	D1226 (no bypass), 1" FIP; 1.05mm	1.5
250414	DUC 2FT3 AC UPFLOW L/ BYPASS	12x52BLK	D7171 (no bypass), 3/4" FIP; 13/16"	2.0
38066	DUC 3FT3 AC UPFLOW L/ BYPASS	13x54	D7171 (no bypass), 3/4" FIP; 13/16"	3.0

FILTER APPLICATIONS

	Backwash* Flow Rate gpm/ft.2 (ml/ min/cm2)	Service Flow Rate gpm/ft.* (ml/min/cm*)	Recommen- ded Bed Depth "es (cm)	Bed Expansion/ Freeboard as % Bed Depth	Weight lbs./ cu. ft. (grams/ liter)	Regenerant Required percu.ft. (m3)	ph Range
Manganese Greensand for Iron Removal	8-12 (33 - 49)	5 (20)	30 (76)	35 - 50%	85 (1,362)	2 - 4 oz. KMnO ₄	7.0 or higher
Max. practical limit for iron and/or manganese removal Hydrogen Sulfide (H ₂ S) — 15 ppm (1.6-3.2 grams)							
Regular Birm* for Iron Removal	10-12 (41 -49)	5 (20)	30-36 (76-91)	35 - 50%	48 (769)	None	7.0 or higher
Water supply must be free of H ₂ S and have dissolved oxygen of 15% of the iron content							
Activated Carbon for Taste & Odor Removal	8-10 (33-41)	5 (20)	30 (76)	35 - 50%	33 (529)	None	Wide Range
Filter - Ag. for Sediment (Turbidity) Removal	8-10 (33-41)	5 (20)	24-36 (61 -91)	50%	25 (401)	None	Wide Range
Filter Sand for Sedi- ment (Turbidity) Rem- oval	12-15 (49-61)	3-5 (12-20)	24-30 (61-76)	35 - 50%	100 (1,602)	None	Wide Range
Sand is also used for High Rate Sand Filters with Service Rates of 15-20 gpm/sq. ft. and backwash at the same rate							
Calcite for Ph correction	8-12 (33-49)	3-6 (12-25)	24-30 (61-76)	35%	100 (1,602)	None	5-6.5
MTM for down manganese and Hydro- gen Sulphur removal	8-10 (33-41)	3-5 (12-20)	24-36 (61-91)	50%	27 (432)	1.5-2 oz. (1.25-1.6 grams)	6.5-9.0
Corosex for Ph correction	8-12 (33-49)	5-6 (20-24)	24-30 (61-76)	35%	100 (1,602)	None	4-6Ph

GREENSAND FILTER UNITS

DWC Greensand Filter Units are made with GreensandPlus, a potassium feeder and the Autotrol 268 filter valve. We can also build them with the Fleck 5600 greensand filter valve.

GreensandPlus is an efficient and economical media for the reduction of dissolved iron, hydrogen sulfide and manganese compounds. You no longer need to regenerate with potassium permanganate, and can instead use chlorine or another strong oxidant like hydrogen peroxide. A chlorine/peroxide residual carried through the filter will maintain GreensandPlus in a continuously regenerated condition for superior performance. But don't forget: GreensandPlus has a limitation as to how fast you can push water through it before iron, etc. will bleed through. Call or email Duff for details on sizing, flow rates, and more.

Fig. No.	Description	Mineral Tank Size	Valve	Plumbing Connection	Capacity in Cu. Ft.
40887	DAG1/268 1FT3 GRN SAND FILTER	10x40	Autotrol 268/460TC	3/4" SWT	1.0
43420	DAG1/5600 1FT3 GRN SND FILTER	10x40	Fleck 5600	3/4" FIP	1.0
40888	DAG112/268 1.5FT3 GRN SND FLTR	10x54	Autotrol 268/460TC	3/4" SWT	1.5
327211	DAG112/268 742LGX 1.5 GRN SND	10x54	Autotrol 268/742 LogixTC	3/4" SWT	1.5
319898	DAG112/268 742LGX 1.5GRN SND12	12x36	Autotrol 268/742 LogixTC	3/4" PVC	1.5
40021	DAG2/268 2FT3 GRN SAND FILTER	12x52	Autotrol 268/460TC	3/4" SWT	2.0
327212	DAG2/268 742LGX 2 GRN SND FLTR	12x52	Autotrol 268/742 LogixTC	3/4" SWT	2.0



DON'T FORGET THE POT PERM ACCESSORIES:

Fig. No.	Description
40886	Pot Perm Feeder (3/8" - 4 oz. - Blue)
98655	Pot Perm Feeder (3/8" - 4 oz. - Black)
47600	Valve Assembly (3/8" - 2 oz.)
44945	Valve Assembly (3/8" - 4 oz.)
38985	Potassium Permanganate (5 lb.)



PRE-BUILT STANDARD WATER FILTRATION UNITS



DWC P-Mixer Tank — Mineral Tank w/ Built-in, In-line Static Mixer Utilizes ordinary line pressure to increase the effectiveness of chemical addition to water streams. This unique solution solves the age-old problem of chemical leakage that may occur with traditional chemical injection setup. Plus, because the mixer is built right in to the mineral tank and in/out head, there's no need for an additional contact tank.



Fig. No.	Description	Ordering Code	Mineral Tank Size	Effective from 3 gpm up through 18 gpm. Inlet/outlet openings 1" FIP. Riser pipe size 1.05"
202478	PMIXER318 W/PT12X52-4" TANK	PMIXERTANK	12X52	

DWC BACKWASHING FILTER UNITS (LESS MEDIA)



Fig No.	Description	Mineral Tank Size	Valve	Plumbing Connection	Capacity in Cu. Ft.
Autotrol Filter Valves					
67725	DWF1/263 1FT3 BW FILTER L/MED	10x40	263/460TC	3/4" SWT	1.0
192410	DWF1/263 LGX 1FT3 BW FLTR L/M	10x40	263 Logix	3/4" SWT	1.0
62189	DWF112/263 1.5FT3 FILTER L/M	10x54	263/460TC	3/4" SWT	1.5
192451	DWF112/263 LGX 1.5FT3 FLTR L/M	10x54	263 Logix	3/4" SWT	1.5
97009	DWF2/263 2FT3 BW FILTER L/MED	12x52	263/460TC	3/4" SWT	2.0
176999	DWF3/263 3FT3 BW FILTER L/MED	13x54	263/460TC	3/4" SWT	3.0
192453	DWF3/263 LGX 3FT3 FILTER L/MED	13x54	263 Logix	3/4" SWT	3.0
Pentair Fleck 5800 Filter Valve					
328244	DWF112/5800 1.5FT3 BW FLTR L/M	10X54	5800/SXT	3/4" FIP	1.5
Pentair Fleck 5812 Filter Valve					
328584	DWF4/5812 4FT3 FILT L/MED 114	16x65-4	5812/SXT	1-1/4" SWT	4.0
328586	DWF8/5812 8FT3 FILT L/MED 114	24x72-4	5812/SXT	1-1/4" SWT	8.0
Fleck 5600 Filter Valve					
67937	DWF1/5600 1FT3 FILTER L/MEDIA	9x48	5600 TC	3/4" FIP	1.0
126584	DWF1/5600 1FT3 FILTER L/M 1"	9x48	5600 TC	1" FIP	1.0
72160	DWF112/5600 1.5FT3 FILTER L/M	10x54	5600 TC	3/4" FIP	1.5
113247	DWF2/5600 2FT3 FILTER L/MEDIA	12x52	5600 TC	3/4" FIP	2.0
Fleck 2510 Filter Valve					
65547	DWF1/2510 1FT3 FILTER L/MEDIA	10x40	2510 Filter	3/4" FIP	1.0
65542	DWF112/2510 1.5FT3 FILTER L/M	10x54	2510 Filter	3/4" FIP	1.5
113444	DWF112/2510MAN 1.5FT3 FLTR L/M	10x54	2510 Manual	3/4" FIP	1.5
67523	DWF2/2510 2FT3 FILTER L/MEDIA	12x48	2510 Filter	3/4" FIP	2.0
96796	DWF3/2510 3FT3 FILTER L/MEDIA	13x54	2510 Filter	3/4" FIP	3.0



DWC BACKWASHING FILTER UNITS (LESS MEDIA) continued

Fleck 2750 Filter Valve					
67524	DWF212/2750 2.5FT3 FILTER L/M	13x54	2750 Filter	1" MIP	2.5
Fleck 7000 Filter Valve					
158384	DWF2/7000 2FT3 FILT L/MED 114"	12X52	7000 Filter	1-1/4" SWT	2.0
158386	DWF3/7000 3FT3 FILT L/MED 114"	13X54	7000 Filter	1-1/4" SWT	3.0
158387	DWF4/7000 4FT3 FILT L/MED 114"	16X65-4	7000 Filter	1-1/4" SWT	4.0
243661	DWF7/7000 7FT3 FILT L/MED 114"	21X62-4	7000 Filter	1-1/4" SWT	7.0
274494	DWF8/7000 8FT3 FILT L/MED 112"	24X65	7000 Filter	1-1/2" SWT	8.0
Fleck 2850 Filter Valve					
115993	DWF2/2850 2FT3 FILTER L/MEDIA	12x52-4	2850 Filter	1-1/2" FIP	2.0
79343	DWF3/2850 3FT3 FILTER L/MEDIA	14x65-4	2850 Filter	1-1/2" FIP	3.0
Clack WS1 Valve					
319892	DWF1/WS1 1FT3 FILTER L/M 1"SB	10x40	WS1 TC Filter	1" SB	1.0
132729	DWF112/WS1 1.5FT3 FLTR L/M 1"	10x54	WS1 TC Filter	1" SWT	1.5
242917	DWF2/WS1 2FT3 FILTER L/M 3/4"	12x52	WS1 TC Filter	3/4" SWT	2.0
250648	DWF2/WS1 2FT3 FILTER L/MED 1"	12x52	WS1 TC Filter	1" SWT	2.0
250649	DWF3/WS1 3FT3 FILTER L/MED 1"	13x54	WS1 TC Filter	1" SWT	3.0
Clack WS1.5 Valve					
276521	DWF3/WS1.5 3FT3 FILTER L/MEDIA	14x65-4	WS1.5 TC Filter	1" SWT	3.0
316882	DWF4/WS1.5 4FT3 FILTER L/MEDIA	16x65-4	WS1.5 TC Filter	1" SWT	4.0



Inlet/Outlet (1)	2" Female NPT or BSPT/2.5" Groove Lock	
Cycles	up to 9	
Valve Material.	Lead free brass	
Regeneration	Downflow	
CONTROL VALVE FLOW RATES		
Service @ 15 psi/1 bar drop (includes meter)	125 gpm (473 lpm) (28.4 m3/h)	
Backwash @ 25 psi/1.7 bar drop	125 gpm (473 lpm) (28.4 m3/h)	
Cv Service.	32.3	
Cv Backwash.	25.0	
DIMENSIONS & WEIGHT		
Distributor Pilot	Valve Bodies with 2" Female NPT Inlet & Outlet	2.375" OD (2" NPS)
	Valve Bodies with 2" Female BSPT Inlet & Outlet	63mm OD
Drain Line Connection	2" Female NPT/BSPT/2.5" Groove Lock	
Brine Line Adapters Included.	1" Male NPT elbow and 3/4" x 1" solvent weld elbow	
Optional Adapters	1/2" or 5/8" OD Poly Tube Compression	
Mounting Base	4" - 8 UN, 6" Flange or Side Mount	
Tank Applications		
Water Softener	18" - 63" Diameter	
Water Filter (2)	18" - 48" Diameter	

WS2H



- 2" top mount or side mount control valve suited for commercial and industrial applications
- Epoxy coated lead free brass valve body
- Built-in Internal Flow Meter standard with all valves
- Solid state microprocessor with easy access front removable POD
- Fully programmable regeneration cycle sequences (maximum 9)
- Fully programmable regeneration cycle times

CUSTOM-MADE ACID NEUTRALIZER UNITS

Our standard acid neutralizer units are custom-made. With the below chart, you can customize your build. Just choose the size, valve and media. Let us know if you have any special conditions--water chemistry, size, etc.--and we'll handle the rest. Unless specified otherwise, our units come with dome hole mineral tank, high flow distributor, gravel, top basket, all fittings and bypass assembly.

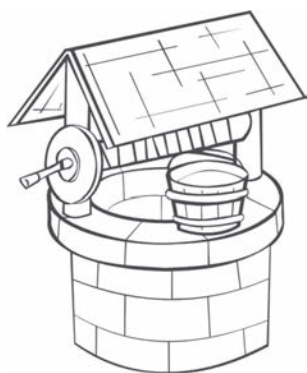


Fig. No.	Description	Dome Hole Tank Size	Valve	Plumbing Connection	Capacity in Cu. Ft.
Autotrol Filter Valves					
40865	DWF1/263 1FT3 FILTER DP L/MED	10x44DP	263/460TC	3/4" SWT	1.0
40867	DWF112/263 1.5FT3 FLTR DP L/M	10x54DP	263/460TC	3/4" SWT	1.5
220449	DWF112/263LGX 1.5FT3 FLT DP LM	10x54DP	263 Logix	3/4" SWT	1.5
40868	DWF2/263 2FT3 FILTER DP L/MED	12x52DP	263/460TC	3/4" SWT	2.0
327783	DWF2/263LGX 2FT3 FLTR DP L/MED	12x52DP	263 Logix	3/4" SWT	2.0
327802	DWF212/263LGX 2.5FT3 FLT DP LM	13x54DP	263 Logix	3/4" SWT	2.5
40869	DWF3/263 3FT3 FILTER DP L/MED	13x54DP	263/460TC	3/4" SWT	3.0
Fleck 5000 Filter Valve					
80855	DWF2/5000SXT 2FT3 FLTR DP L/M	12x52DP	5000/SXT	1"	2.0
154582	DWF212/5000SXT 2.5FT FLT DP LM	13x54DP	5000/SXT	1"	2.5
Fleck 5600 Filter Valve					
42844	DWF1/5600 1FT3 FILTER DP L/MED	10x44DP	5600 TC Filter	3/4" FIP	1.0
42845	DWF112/5600 1.5FT3 FLTR DP L/M	10x54DP	5600 TC Filter	3/4" FIP	1.5
253943	DWF112/5600SXT 1.5FT FLT DP LM	10x54DP	5600 SXT TC	3/4" FIP	1.5
42847	DWF2/5600 2FT3 FILTER DP L/MED	12x52DP	5600 TC Filter	3/4" FIP	2.0
42848	DWF3/5600 3FT3 FILTER DP L/MED	13x54DP	5600 TC Filter	3/4" FIP	3.0
Pentair Fleck 5800 Filter Valve					
328239	DWF112/5800SXT 1.5FT FLT DP LM	10x54	5800/SXT	1" FIP	1.5
Fleck 2510 Filter Valve					
200419	DWF1/2510 1FT3 FILTER DP L/M	10x40DP	2510 TC Filter	3/4" FIP	1.0
74471	DWF112/2510 1.5FT3 FLTR DP L/M	10x54DP	2510 TC Filter	3/4" FIP	1.5
84975	DWF2/2510 2FT3 FILTER DP L/MED	12x52DP	2510 TC Filter	1" FIP	2.0
93289	DWF3/2510 3FT3 FILTER DP L/MED	13x54DP	2510 TC Filter	1" FIP	3.0
Clack WS1 Filter Valve					
248272	DWF112/WS1 1FT3 FILTER DP L/M	10x54DP	WS-1 TC Filter	1" SWT	1.5
263097	DWF2/WS1 2FT3 FILTER DP L/MED	12x52DP	WS-1 TC Filter	1" SWT	2.0
250650	DWF3/WS1 3FT3 FILTER DP L/MED	13x54DP	WS-1 TC Filter	1" SWT	3.0
212440	DWF4/WS1 4FT3 FILTER DP L/MED	16x65DP	WS-1 TC Filter	1-1/4" - 1-1/2"	4.0
Clack 2750 Filter Valve					
62392	DWF4/2750 4FT3 BW FILTER DP L/M	16x65DP	2750 Filter	1" MIP	4.0



DON'T FORGET THE FUNNELS!	
38983	Blue Funnel (2.5" X 10")
94677	Commercial Funnel (4")
322783	Pentair/Structural Quick Lock Funnel

Acidic water is one of the most common problems with well water. Call or email the experts at DUFF to help determine the best treatment options for your application.

RUSTY IRON REMOVAL SYSTEM

Rusty™
Iron Removal System



Remove iron, manganese and hydrogen sulfide. Rusty uses the latest technology of air-injection and either Birm or Centaur carbon to reduce dissolved iron, manganese and hydrogen sulfide. Birm in this unit acts as an insoluble catalyst to enhance the reaction between dissolved oxygen and iron compounds.

Centaur carbon, on the other hand, is the perfect medium for removal of hydrogen sulfide (rotten egg smell).

One of the reasons our Rusty unit is so effective is because we use a slightly larger tank to allow for injection of air, and therefore an air bubble at the top of the tank. The water in the tank compresses the air. When raw water enters the tank, it passes through the compressed air and iron is exposed to that air, thereby oxidizing and making it easier to filter from the water. Whether Birm or Centaur, either are easily cleaned by regular backwashing to prolong service life.

Model Number with BIRM with Centaur Carbon	DWF1AIRB DWF1AIRC	DWF112AIRB DWF112AIRC	DWF2AIRB DWF2AIRC	DWF212AIRB DWF212AIRC
Tank Size	10 x 54	12 x 52	13 x 54	14 x 65
Backwash (gpm)	6	9	10	12
Service (gpm)	3	4	5	6
Peak (gpm) Max: 10 minutes	4	5	6	7

Advantages of BIRM

- Primary application is to remove Iron from water.
- Under proper conditions, purchasing of chemicals is not necessary maintenance and regeneration is not required.
- Iron removal efficiency is extremely high.
- Negligible labor cost; only periodic backwashing required.
- Weighs only 44 to 50 lbs/cu ft.
- Durable material with a long life and wide temperature range.
- pH must be 7.0 or higher

Advantages of Centaur Carbon

- Outstanding material for removal of taste, odor and dissolved organic chemicals from water.
- Works well when used with air as an oxidant.
- Excellent for use when Sulfur is present in the water.
- Large surface area provides high capacity and efficiency.
- Service rates of 5gpm/sq ft are practical for ordinary-taste, odor.

FOR IRON AND SULFUR, ASK ABOUT Rusty PLUS

COMMERCIAL SOFTENER & FILTER UNITS

As an original equipment manufacturer (OEM) of water treatment systems and equipment, we build to your specifications. We also specify equipment. Give us a call or email us with the water conditions, and we can discuss what equipment is right for your application. From softeners to dealkalizers to filters; from greensand to carbon to KDF; meter- or time-clock initiated regeneration--no matter what the water chemistry, size requirements, or any other considerations. The following charts feature our most common commercial units. They may vary in countless ways, including control valve, mineral tank size, mineral/resin, and so on. For detailed information on the control valves, as well as the other components in each unit, please flip through **pages XX-XX**

Commercial Systems

At Duff Co., we specialize in solutions. Call or email us today to learn about our expertise in commercial and industrial water treatment system design, installation and maintenance. Our industry-best technical support is always available to help you troubleshoot.

The experts at Duff's Philadelphia-area headquarters understand water treatment. We build OEM systems with the consideration of staff resources, space limitations, future expansion, budget, reliability and redundancy requirements, monitoring, reporting, maintenance, environmental impact and public image: In short, with Duff you get solutions, not just equipment.

We manufacture water treatment systems to order, tailored to your specifications and the water at the source.



Among our standard equipment, we offer the following systems:

- **Commercial Water Treatment Softeners**
- **Deionizers / Demineralizers**
- **Ion Exchange Systems**
- **Reverse Osmosis (RO)**
- **Filters**
- **Side Stream Filtration**
- **Ultrapure Water / Ultrafiltration (UF)**
- **Ultraviolet (UV) Water Disinfection**

We also stock the largest selection of specialty media and resins, plus all the components and spare parts to any water treatment system.

RELY ON OUR EXPERTISE

For pumping applications, customers receive the benefit of Duff Co.'s extensive inventory of Grundfos pumps, whether your system calls for a chemical dosing pump or a centrifugal pump. While we stock many brands, our customers rave about the best-in-class Grundfos SMART Digital Dosing pumps, which feature a gentle yet powerful stepper motor. The result is an incredibly durable, remarkably accurate – and still affordable – dosing pump. For all your chemical dosing questions, Duff Co. experts are available to help.

In addition, we provide value-added services such as fabrication of skidded water treatment systems, start-up assistance, and free troubleshooting – any day, any time.



COMMERCIAL SOFTENER & FILTER UNITS



Pentair Fleck 5812 Valve The 5800 Series of Pentair Fleck valves provide a common solution for a wide variety of filtration and softening applications. Developed on the same platform as the 5800 valves, the 5812 valves offer flexibility with a familiar appearance, while reducing carrying costs. They come standard with 1-1/4" plumbing connections, but are also available in 1" and 1-1/2". They offer continuous service flow rates of up to 45 gpm and backwash rates up to 35 gpm. It's available with both a 2-1/2" and a 4-1/2" base. Our standard builds include a 32mm distributor pilot, but the valve can also be built with a distributor pilot either 1.05" O.D. or 1" I.D.

Like the 5800, this valve can use either the touchscreen XTR2 or SXT controllers. Our standard softener builds have the touchscreen, while our filters use the familiar SXT.

The XTR2 touchscreen controller features programmable relay output, remote lockout and regen input, assistance screen with dealer contact info and many other customizable settings.

Fig. No.	Description	Mineral Tank Size	Brine Tank Size	Valve Model	Meter/TC	Plumbing Connection	Capacity in Cu. Ft.
Pentair Fleck 5812 Softener Units							
328379	DWC90/5812XTR2 3FT3 SOFTENER	14x65	24x41	5812 XTR2 Touch	M	1" Swt	3.0
336668	DWC120/5812XTR2 4FT3 SOFTENER	16x65	24x41	5812 XTR2 Touch	M	1" / 1-1/4" Swt	4.0
336669	DWC150/5812XTR2 5FT3 SOFTENER	18x65	24x41	5812 XTR2 Touch	M	1" / 1-1/4" Swt	5.0
Pentair Fleck 5812 Filter Units (less media)							
328584	DWF4/5812 4FT3 FILT L/MED 114	16x65-4	--	Pentair 5812/SXT Filter	TC	1-1/4" SWT	4.0
328586	DWF8/5812 8FT3 FILT L/MED 114	24x72-4	--	Pentair 5812/SXT Filter	TC	1-1/4" SWT	8.0



Fleck 7000 Valve The most versatile, high-performance control valve in the water treatment industry. Designed and manufactured with the dependability, performance and features that you want and need. The 7000 control valve offers the highest service and backwash flows available for residential and light commercial applications in its valve class. The valve is manufactured from a durable fiber-reinforced polymer and features a series of optional high flow accessories. These include a quick-connect by-pass and a 32mm distributor system. With the advanced electronic controls the 7000 valve provides optical piston positioning, simplified wiring, along with the proven Fleck seal and spacer design. The 7000 offers technology and performance at an outstanding value.

Fig. No.	Description	Mineral Tank Size	Brine Tank Size	Valve Model	Meter/TC	Plumbing Connection	Capacity in Cu. Ft.
Fleck 7000 Softener Units							
159925	DWC32/7000 1FT3 SOFT 114" SXT	10X40	18X33	7000/SXT	M	1-1/4" SWT	1.0
159927	DWC48/7000 1.5FT3 SOFT 114" SXT	10X54	18X33	7000/SXT	M	1-1/4" SWT	1.5
158299	DWC64/7000 2FT3 SOFT 114" SXT	12X52	18X40	7000/SXT	M	1-1/4" SWT	2.0
158302	DWC90/7000 3FT3 SOFT 114" SXT	14X65	24X41	7000/SXT	M	1-1/4" SWT	3.0
158304	DWC120/7000 4FT3 SOFT 114" SXT	16X65-4	24X41	7000/SXT	M	1-1/4" SWT	4.0
158306	DWC150/7000 5FT3 SOFT 114" SXT	18X65-4	24X41	7000/SXT	M	1-1/4" SWT	5.0
Fleck 7000 Filter Units (less media)							
158384	DWF2/7000 2FT3 FILT L/MED 114"	12X52	--	7000/SXT Filter	TC	1-1/4" SWT	2.0
158386	DWF3/7000 3FT3 FILT L/MED 114"	13X54	--	7000/SXT Filter	TC	1-1/4" SWT	3.0
158387	DWF4/7000 4FT3 FILT L/MED 114"	16X65-4	--	7000/SXT Filter	TC	1-1/4" SWT	4.0
243661	DWF7/7000 7FT3 FILT L/MED 114"	21X62-4	--	7000/SXT Filter	TC	1-1/4" SWT	7.0
274494	DWF8/7000 8FT3 FILT L/MED 114"	24X65	--	7000/SXT Filter	TC	1-1/4" SWT	8.0



COMMERCIAL SOFTENER & FILTER UNITS

Fleck 2510 Valve The Fleck 2510 valve provides larger internal porting for better flow rates and less pressure drop. Also featuring a sturdy design and separate drive motor, the 2510 offers great value and long-lasting service with a simple-to-use electronic or mechanical interface and the benefit of unique programming and diagnostic features.

Fig. No.	Description	Mineral Tank Size	Brine Tank Size	Valve Model	Meter/TC	Plumbing Connection	Capacity in Cu. Ft.
Fleck 2510 Softener Units							
112933	DWC24/2510 .75FT3 SOFTENER	7X44	18X33	2510 Mech	TC	3/4" FIP	0.75
113020	DWC32/2510 1FT3 SOFTENER	10x40	18X33	2510 Mech	TC	3/4" FIP	1.0
113021	DWC32/2510 1FT3 MTR SOFT EXT	10x40	18X33	2510/Ext'd Rng.	EXT M	3/4" FIP	1.0
112914	DWC48/2510 1.5FT3 SOFTENER	10x54	18X33	2510 Mech	TC	3/4" FIP	1.5
43596	DWC48/2510 1.5FT3 MTR SOFT EXT	10x54	18x33	2510/Ext'd Rng.	EXT M	3/4" FIP	1.5
43599	DWC64/2510 2FT3 SOFTENER	12x52	18x40	2510 Mech	TC	1" FIP	2.0
261010	DWC90/2510 3FT3 SOFTENER 1"	14X65	18X40	2510 Mech	TC	1" FIP	3.0
310602	DWC90/2510SXT 3FT3 MTR SOFT 1"	14x65	18x40	2510/SXT	M	1" FIP	3.0
Fleck 2510 Filter Units (less media)							
65547	DWF1/2510 1FT3 FILTER L/MEDIA	10x40	--	2510 Mech Filter	TC	3/4" FIP	1.0
67523	DWF2/2510 2FT3 FILTER L/MEDIA	12x48	--	2510 Mech Filter	TC	1" FIP	2.0
96796	DWF3/2510 3FT3 FILTER L/MEDIA	13x54	--	2510 Mech Filter	TC	3/4" FIP	3.0
271898	DWF4/2510 4FT3 FILTER L/MEDIA	14X65	--	2510 Mech Filter	TC	1" FIP	4.0



Fleck 2750 Valve Fleck's 2750 valve is ideal for large residential and light commercial water softeners and filters up to 24" diameter tank size. The 2750 valve body is offered in the classic mechanical design for rugged construction and simple operation, as well as in the 2750SXT Electronic Programmable style for an extended range of settings and options capabilities, in addition to the NXT controller for even greater programming flexibility.

Fig. No.	Description	Mineral Tank Size	Brine Tank Size	Valve Model	Meter /TC	Plumbing Connection	Capacity in Cu. Ft.
Fleck 2750 Softener Units							
61851	DWC32/2750 1FT3 SOFTENER	10x40	11x11	2750 Mech	TC	1" MIP	1.0
316144	DWC32/2750NXT 1FT3 MTR SOFTENR	10x54	18x40	2750/NXT	M	1" MIP	1.0
319418	DWC48/2750NXT 1.5FT3 MTR SOFT	10x54	18x33	2750/NXT	M	1" MIP	1.5
60181	DWC60/2750 2FT3 SOFTENER	12x52	18x40	2750 Mech	TC	1" MIP	2.0
201509	DWC90/2750 3FT3 SOFTENER	14x65-4	24X41	2750 Mech	TC	1" MIP	3.0
270739	DWC90/2750NXT 3FT3 MTR SOFTEN	14x65	24x50	2750/NXT	M	1" MIP	3.0
43583	DWC 120/2750 4FT3 SOFTENER	16X65-4	24X41	2750 Mech	TC	1" MIP	4.0
43585	DWC 120/2750NXT 4FT3 MTR SOFTEN	16X65-4	24X41	2750/NXT	M	1" MIP	4.0
139739	DWC 150/2750 5FT3 SOFTENER	18x65-4	24x41	2750 Mech	TC	1" MIP	5.0
Fleck 2750 Filter Units (less media)							
78735	DWF2/2750 2FT3 FILTER L/MEDIA	12X52	--	2750 Mech Filter	TC	1" MIP	2.0
67524	DWF212/2750 2.5FT3 FILTER L/M	13x54	--	2750 Mech Filter	TC	1" MIP	2.5
78736	DWF3/2750 3FT3 FILTER L/MEDIA	14X65	--	2750 Mech Filter	TC	1" MIP	3.0
78737	DWF4/2750 4FT3 FILTER L/MEDIA	16X65-4	--	2750 Mech Filter	TC	1" MIP	4.0
191241	DWF5/2750 5FT3 FILTER L/MEDIA	18X65-4	--	2750 Mech Filter	TC	1" MIP	5.0



COMMERCIAL SOFTENER & FILTER UNITS

Fleck 2850 Valve Fleck's 2850 valve is ideal for commercial filters and water softeners up to 24" to 30" diameter tank size. The 2850 valve body is offered in the classic mechanical design for rugged construction and simple operation, as well as in the 2850SXT Electronic Programmable style for an extended range of settings and options capabilities, in addition to the NXT controller for even greater programming flexibility.



Fig. No.	Description	Mineral Tank Size	Brine Tank Size	Valve Model	Meter/TC	Plumbing Connection	Capacity in Cu. Ft.
Fleck 2850 Softener Units							
47889	DWC60/2850 2FT3 SOFTENER	12x52-4	18x40	2850 Mech	TC	1-1/2" MIP	2.0
62739	DWC60/2850 2FT3 MTR SOFTENER	12x52-4	18x40	2850 Mech	M	1-1/2" MIP	2.0
316951	DWC60/2850NXT 2FT3 MTR SOFTENR	12x52-4	18x40	2850/NXT	M	1-1/2" MIP	2.0
43397	DWC90/2850 3 FT3 SOFTENER	14X65-4	24X41	2850 Mech	TC	1-1/2" MIP	3.0
316953	DWC90/2850NXT 3FT3 MTR SOFTENR	14X65-4	24X41	2850/NXT	M	1-1/2" MIP	3.0
43398	DWC120/2850 4FT3 SOFTENER	16X65-4	24X41	2850 Mech	TC	1-1/2" MIP	4.0
207324	DWC120/2850NXT 4FT3 MTR SOFTEN	16X65-4	24X41	2850/NXT	M	1-1/2" MIP	4.0
62523	DWC150/2850 5FT3 SOFTENER	18X65-4	24X41	2850 Mech	TC	1-1/2" MIP	5.0
65662	DWC150/2850NXT 5FT3 MTR SOFTEN	18X65-4	24X41	2850/NXT	M	1-1/2" MIP	5.0
43406	DWC180/2850NXT 6FT3 MTR SOFTEN	21x62-4	24x41	2850/NXT	M	1-1/2" MIP	6.0
43400	DWC210/2850 7FT3 SOFTENER	21x62-4	24X41	2850 Mech	TC	1-1/2" MIP	7.0
43402	DWC300/2850 10FT3 SOFTENER	24x72-4	24X41	2850 Mech	TC	1-1/2" MIP	10.0
Fleck 2850 Filter Units (less media)							
115993	DWF2/2850 2FT3 FILTER L/MEDIA	12x52-4	--	2850 Mech Filter	TC	1-1/2" MIP	2.0
79343	DWF3/2850 3FT3 FILTER L/MEDIA	14x65-4	--	2850 Mech Filter	TC	1-1/2" MIP	3.0
78738	DWF4/2850 4FT3 FILTER L/MEDIA	16X65-4	--	2850 Mech Filter	TC	1-1/2" MIP	4.0
146865	DWF5/2850 5FT3 FILTER L/MEDIA	18X65-4	--	2850 Mech Filter	TC	1-1/2" MIP	5.0
163793	DWF6/2850 6FT3 FILTER L/MEDIA	21x62-4	--	2850 Mech Filter	TC	1-1/2" MIP	6.0
141481	DWF7/2850 7FT3 FILTER L/MEDIA	21X62-4	--	2850 Mech Filter	TC	1-1/2" MIP	7.0
116258	DWF10/2850 10FT3 FILTER L/MED	24X72-4	--	2850 Mech Filter	TC	1-1/2" MIP	10.0

Fleck 3150 Valve Fleck's 3150 valve is ideal for commercial filters and water softeners up to 63" and 42" diameter tank size. The Fleck 3150 valve body offers rugged construction and simple mechanical operation.



Fig. No.	Description	Mineral Tank Size	Brine Tank Size	Valve Model	Meter/TC	Plumbing Connection	Capacity in Cu. Ft.
Fleck 3150 Softener Units							
240719	DWC240/3150 8FT3 SOFTENER	21x62-4	24x41	3150 Mech	TC	2" FIP	8.0
58541	DWC300/3150 10FT3 SOFTENER	24x72-4	30x50	3150 Mech	TC	2" FIP	10.0
324948	DWC450/3150NXT 15FT3 MTR SOFT	30x72-6	39x48	3150/NXT	M	2" FIP	15.0
305919	DWC450/3150NXT 15FT M SOFT T&B	30x72-6-6 T&B Flg	39x48	3150/NXT	M	2" FIP	15.0
333694	DWC600/3150NXT 20FT3 MTR SOFT	36X72-6 Top Flg	39x48	3150/NXT	M	2" FIP	20.0
Fleck 3150 Filter Units (less media)							
243231	DWF10/3150NXT 10FT3 FILTER L/M	24x72-4	--	3150/NXT Filter	TC	2" FIP	10.0
78727	DWF10/3150 FILTER L/MEDIA	24x72-4	--	3150 Mech Filter	TC	2" FIP	10.0
257019	DWF15/3150NXT 15FT3 FILTER L/M	30x72-4	--	3150/NXT Filter	TC	2" FIP	15.0
274410	DWF15/3150NXT 15FT FLTR LM T&B	30x72-6-6 T&B Flg	--	3150/NXT Filter	M	2" FIP	15.0
245720	DWF15/3150NXT 15FT FLTR LM 30"	30x72-6-6 T&B Flg	--	3150/NXT Filter	TC	2" FIP	15.0
274230	DWF20/3150 20FT FILTER L/M 36"	36x72-4	--	3150 Mech Filter	TC	2" FIP	20.0
227333	DWF20/3150NXT 20FT FLTR LM 36"	36x72-6 Top Flg	--	3150/NXT Filter	TC	2" FIP	20.0
320663	DWF30/3150NXT 30FT FLTR LM 42"	42x72-6-6 T&B Flg	--	3150/NXT Filter	TC	2" FIP	30.0

COMMERCIAL SOFTENER & FILTER UNITS

Fleck 2900 Valve The Fleck's 2900 is the industry standard for 2" commercial water treatment applications. Available in mechanical or NXT, its heavy-duty brass construction makes it capable of continuous flow rates from 40 to 100 gpm and capacities 120,000 to 600,000 grains. The 3200 NXT Network Controller uses on-board communication capabilities to link multiple commercial valves (via off-the-shelf CAT3, CAT5, or better cables) for a variety of system types. Like our other commercial systems, the 2900 built units include a safety brine valve with air check, salt grid, full hub & lateral distributor system (on larger builds), and high grade resin or other media. We make both meter- and time clock-initiated regeneration systems. As with systems featuring the Fleck 3900 valve, our 2900 systems are typically made with hard water bypass (allowing constant supply of water). Please let us know if it's critical to avoid any hard water, in which case we will built a system to suit this requirement.

Fleck 2900 Valve



Fig. No.	Description	Mineral Tank Size	Brine Tank Size	Valve Model	Meter/TC	Plumbing Connection	Capacity in Cu. Ft.
Fleck 2900 Softener Units - Single Tank Systems							
40889	DWC90/2900 3 FT3 SOFTENER	14X65-4	24X41	2900 Mech	TC	2" FIP	3.0
43390	DWC90/2900 3FT3 MTR SOFTENER	14X65-4	24X41	2900 Mech	M	2" FIP	3.0
181456	DWC90/2900NXT 3FT3 MTR SOFTEN	14X65-4	24X41	2900/NXT	M	2" FIP	3.0
40890	DWC120/2900 4FT3 SOFTENER	16X65-4	24X41	2900 Mech	TC	2" FIP	4.0
161282	DWC120/2900NXT 4FT3 MTR SOFTEN	16X65-4	24X41	2900/NXT	M	2" FIP	4.0
48800	DWC150/2900 5FT3 SOFTENER	18X65-4	24X41	2900 Mech	TC	2" FIP	5.0
200851	DWC150/2900NXT 5FT2 MTR SOFTEN	18X65-4	24X41	2900/NXT	M	2" FIP	5.0
39994	DWC180/2900 6FT3 SOFTENER	21X62-4	24X41	2900 Mech	TC	2" FIP	6.0
198917	DWC180/2900NXT 6FT3 MTR SOFTEN	21x62-4	24x41	2900/NXT	TC	2" FIP	6.0
39995	DWC210/2900 7FT3 SOFTENER	21X62-4	24x41	2900 Mech	TC	2" FIP	7.0
272328	DWC210/2900NXT 7FT3 MTR SOFTEN	21X62-4	24X41	2900/NXT	M	2" FIP	7.0
39996	DWC240/2900 8FT3 SOFTENER	24X72-4	30X50	2900 Mech	TC	2" FIP	8.0
271516	DWC240/2900NXT 8FT3 MTR SOFTEN	24x65	24X41	2900/NXT	M	2" FIP	8.0
40891	DWC300/2900 10 FT3 SOFTENER	24X72-4	30X50	2900 Mech	TC	2" FIP	10.0
320529	DWC300/2900 10FT3 MTR SOFT EXT	24X72-4	30X50	2900/Ext'd Rng.	EXT M	2" FIP	10.0
195172	DWC300/2900NXT 10FT3 MTR SOFT	24X72-4	30X50	2900/NXT	M	2" FIP	10.0
219716	DWC450/2900 15FT3 SOFTENER	30x72-6	30X50	2900 Mech	TC	2" FIP	15.0
315874	DWC300/2900NXT 10FT3 MTR SOFT	30x72-6	39x48	2900/Ext'd Rng.	EXT M	2" FIP	15.0
322767	DWC450/2900NXT 15FT3 TC SOFTEN	30x72-4	39x48	2900/NXT	TC	2" FIP	15.0
315886	DWC600/2900 20FT3 MTR SOFT EXT	36x72-4	39x48	2900/Ext'd Rng.	EXT M	2" FIP	20.0



Fig. No.	Description	Mineral Tank Size	Brine Tank Size	Valve Model	Meter/TC	Plumbing Connection	Capacity in Cu. Ft.
Fleck 2900 Softener Units - Multi-Tank Systems System 7 - Duplex Units							
224718	DWC90/2900NXT S7 SOFT W/DRAIN	14X65-4 (w/side drain)	24X41	2900/NXT	M	2" FIP	3.0
195421	DWC120/2900NXT S7 SOFT 1.5" MTR	16X65-4	24X41	2900/NXT	M (1.5")	2" FIP	4.0
157655	DWC150/2900NXT S7 SOFT	18x65-4	24x41	2900/NXT	M	2" FIP	5.0
271824	DWC180/2900NXT S7 SOFT	21X62-4	24X41	2900/NXT	M	2" FIP	6.0
196250	DWC210/2900NXT S7 SOFT	21X62-4	24X41	2900/NXT	M	2" FIP	7.0
151173	DWC300/2900NXT S7 SOFT	24X72-4	30X50	2900/NXT	M	2" FIP	10.0
192125	DWC300/2900NXT S75 SOFT 2-MTR	24X72-4	30x48	2900/NXT	M (2x)	2" FIP	10.0
268844	DWC300/2900NXT S7 SOFT T&B	24x65-4-4 T&B Flg	24x50	2900/NXT	M (Fleck)	2" FIP	10.0
239625	DWC450/2900NXT S7 SOFT	30X72-4	39X48	2900/NXT	M	2" FIP	15.0
318583	DWC600/2900NXT S7 SOFT T&B	36x72-4 Top Flg	24x50	2900/NXT	M	2" FIP	20.0
Fleck 2900 Filter Units (less media)							
310034	DWF3/2900 3FT3 FILTER L/MEDIA	14x65-4	--	2900 Mech Filter	TC	2" FIP	3.0
324696	DWF4/2900 4FT3 FILTER L/MEDIA	16X65-4	--	2900 Mech Filter	TC	2" FIP	4.0
310872	DWF6/2900 6FT3 FILTER L/MEDIA	21X62-4	--	2900 Mech Filter	TC	2" FIP	6.0
260953	DWF10/2900 10FT3 FILTER L/MED	24x72-4	--	2900 Mech Filter	TC	2" FIP	10.0
318582	DWF15/2900 15FT3 FILTER L/MED	30X72-4	--	2900 Mech Filter	TC	2" FIP	15.0



COMMERCIAL SOFTENER & FILTER UNITS



Fleck 3900 Valve Fleck's 3900 valve is ideal for commercial and industrial water softeners and filters with service flows up to 250 GPM and back-wash requirements of up to 100 GPM. The Fleck 3900 valve body offers rugged construction and simple mechanical operation, available mechanical or with NXT controller. Our 3900 systems are typically made with hard water bypass (allowing constant supply of water). Please let us know if it's critical to avoid any hard water, in which case we will built a system to suit this requirement.



Fig. No.	Description	Mineral Tank Size	Brine Tank Size	Valve Model	Meter/TC	Plumbing Connection	Capacity in Cu. Ft.
Fleck 3900 Softener Units - Single Tank Systems							
194445	DWC300/3900NXT 10FT3 SOFTENER	24X72-6 Top Flg	30x48	3900/NXT	TC	3" FIP	10.0
244325	DWC300/3900NXT 10FT3 MTR SOFT	24X72-6 Top Flg	30X50	3900/NXT	M	3" FIP	10.0
319158	DWC300/3900NXT 10FT3 MTR S/M	24x65-6 T&B Flg	24x50	3900/NXT	M	3" FIP	10.0
87094	DWC450/3900 15FT3 SOFTENER	30x72-6 Top Flg	39X48	3900 Mech	TC	3" FIP	15.0
303902	DWC450/3900NXT 15FT3 MTR SHORT	36x57-6 Top Flg	30x60	3900/NXT	M	3" FIP	15.0
193735	DWC600/3900NXT 20FT3 SOFTENER	36x72-6 Top Flg	39x48	3900/NXT	TC	3" FIP	20.0
269054	DWC600/3900NXT 20FT3 MTR SOFT	36x72-6 Top Flg	39X48	3900/NXT	M	3" FIP	20.0
273762	DWC900/3900 30FT3 MTR SOFT EXT	42x72-6-6 T&B Flg	39X48	3900/Ext'd Rng.	EXT M	3" FIP	30.0
275837	DWC900/3900NXT 30FT3 MTR SOFT	42x72-6-6 T&B Flg	39X48	3900/NXT	M	3" FIP	30.0
Fleck 3900 Softener Units - Multi-Tank Systems							
System 7 - Duplex Units							
312721	DWC210/3900NXT S7 SOFT 36X57	36x57-6 Top Flg	30x50	3900/NXT	M	3" FIP	7.0
153461	DWC300/3900NXT S7 SOFT	24X72-6 Top Flg	30x50	3900/NXT	M	3" FIP	10.0
152714	DWC450/3900NXT S7 SOFT	30x72-6 Top Flg	39x48	3900/NXT	M	3" FIP	15.0
319862	DWC450/3900NXT S7 SOFT 36X57	36x57-6 Top Flg	30x48	3900/NXT	M	3" FIP	15.0
194944	DWC600/3900NXT S7 SOFT	36x72-6 Top Flg	39x60	3900/NXT	M	3" FIP	20.0
266504	DWC900/3900NXT S7 SOFT S/M	42x72-6-6 T&B Flg	39X48	3900/NXT	M	3" FIP	30.0
255701	DWC1200/3900NXT S7 SOFT S/M	42x72-6-6 T&B Flg	39x60	3900/NXT	M	3" FIP	40.0
System 7 - Triplex Units							
327556	DWC1200/3900NXT S7 TRIPLX SOFT	48x72-6 Top Flg	42x60	3900/NXT	M	3" FIP	40.0
Fleck 3900 Filter Units (less media)							
309843	DWF10/3900 10FT3 FILTER L/MEDIA	24x72-6 Top Flg	--	3900 Mech Filter	TC	3" FIP	10.0
315726	DWF15/3900 15FT3 FILTER L/MEDIA	30x72-6 Top Flg	--	3900 Mech Filter	TC	3" FIP	15.0
315731	DWF20/3900 20FT3 FILTER L/MEDIA	36x72-6 Top Flg	--	3900 Mech Filter	TC	3" FIP	20.0
245362	DWF30/3900NXT 30FT3 FILTER L/M	42x72-6-6 T&B Flg	--	3900/NXT Filter	TC	3" FIP	30.0
	DWF42 3900NXT L/MEDIA	42x72-6-6 T&B Flg	--	3900/NXT	TC	3" FIP	42.0

COMMERCIAL SOFTENER & FILTER UNITS

Clack Commercial & Industrial Valves Clack's commercial/industrial line of control valves was developed with direct input from customers, just like its residential valves, and incorporates many of the features proven in the residential line of valves. In sizes up to 3" and flow rates up to 250 gpm, the valves can be used with tanks up to 63" in diameter. Simple to configure for use in multiple tank systems, they come in different program versions. The front panel displays time of day, current flow rate, totalizer and volume / days until regeneration. Every valve offers fully programmable regeneration cycle sequences (up to 9), and many other features.

The WS2H valve provides flow rates up to 125 GPM. The WS2H is a 2", lead-free brass body valve, suited for either side-mount or top-mount applications. The meter comes standard with all Clack 2" and 3" valves.

The WS3 provides service flow rates to to 150 gpm, features a 3", lead-free brass body, also capable of use in side- and top-mount applications.

Fig. No.	Description	Mineral Tank Size	Brine Tank Size	Valve Model	Meter/ TC	Plumbing Connection	Capacity in Cu. Ft.
Clack Softener Units - Single Tank Systems							
250760	DWC80/WS1 2.5FT3 MTR SOFTENER	13x54	18x40	WS1	M	1" SWT	2.5
320445	DWC80/WS15 2.5FT3 MTR SOFTENER	13x54-4	24x41	WS1.5	M	1-1/2" FIP	2.5
199628	DWC90/WS1 3FT3 MTR SOFTENER	14x65	24x41	WS1	M	1" SWT	3.0
273998	DWC120/WS15 4FT3 MTR SOFTENER	16x65-4	24x41	WS1.5	M	1-1/2" FIP	4.0
320437	DWC210/WS15 7FT3 MTR SOFTENER	21x62-4	24x41	WS1.5	M	1-1/2" FIP	7.0
228156	DWC210/WS2 7FT3 TC SOFTENER	21x62-4	24x50	WS2	TC	2" FIP	7.0
239803	DWC210/WS2 7FT3 MTR SOFTENER	21x62-4	24x50	WS2	M	2" FIP	7.0
269921	DWC210/WS2 7FT3 MTR SOFTENER	24x72-4	30x50	WS2	M	2" FIP	10.0
Clack Softener Units - Multi-Tank Systems							
241625	DWC90/WS15 S7 MAV SOFT	16x65-4	24x41	WS1.5 w/MAV	M	1-1/2" FIP	3.0
322238	DWC150/WS2 S7 MAV SOFT	18x65-4	24x41	WS2 w/MAV	M	2" FIP	5.0
269919	DWC210/WS2 S7 MAV SOFT	21x62-4	24x41	WS2 w/MAV	M	2" FIP	7.0
311062	DWC600/WS2 S5 MAV TWINFLO SOFT	36x72-6 Top Flg	39x60	WS2	M	2" FIP	20.0
316721	DWC600/WS2H S7 MAV SOFT	36x72-6 Top Flg	39x48	WS2H w/MAV	M	2" FIP	20.0
Clack Filter Units (less media)							
276521	DWF3/WS1.5 3FT3 FILTER L/MEDIA	14x65-4	--	WS1.5 Filter	TC	1-1/2" FIP	3.0
316882	DWF4/WS1.5 4FT3 FILTER L/MEDIA	16x65-4	--	WS1.5 Filter	TC	1-1/2" FIP	4.0
314042	DWF15/WS2H 15FT3 FILTR L/M 30"	30x72-6-6 T&B Flg	--	WS2H Filter	TC	2" FIP	15.0
316729	DWF20/WS2H 20FT3 FILTR L/M 36"	36x72-6 Top Flg	--	WS2H Filter	TC	2" FIP	20.0

Clack WS1 Valve



Clack WS2 Valve

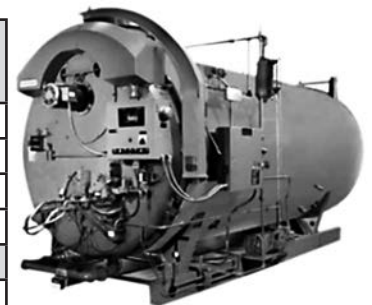


SPECIALTY COMMERCIAL UNITS

As an original equipment manufacturer (OEM) of water treatment systems and equipment, we build to your specifications. We also specify equipment. Give us a call or email us with the water conditions, and we can discuss what equipment is right for your application. From softeners to dealkalizers to filters; from greensand to carbon to KDF; meter- or tilters; from greensand to carbon — no matter what the water chemistry, size requirements or other considerations.

Dealkalizer Units If you work in boiler water treatment, you know the importance of the alkalinity of the makeup water. A dealkalizer removes carbonate ions in the water by exchanging them with chloride ions by passing it over an anionic resin bed. Just like a water softener, a dealkalizer unit requires salt for regeneration of extinguished resin; however, a dealkalizer further requires a supplemental caustic solution to be fed during regeneration to boost effluent pH and enhance the anionic resin efficiency. The vessel, controls and layout are almost identical to that of a softener. Our dealkalizer units use ResinTech's exclusive, premium strong base anion resin. Call us today for all your questions about dealkalizers and boiler water treatment.

Fig. No.	Description	Mineral Tank Size	Brine Tank Size	Valve Model	Meter/ TC	Plumbing Connection	Capacity in Cu. Ft.
Single-Tank Systems							
305543	DWC450/3150NXT MTR DEALKALIZER	30x72-6-6 T&B Flg	30x50	Fleck 3150/NXT	M	2" FIP	15.0
System 7 - Duplex Units							
317761	DWC420/2900NXT S7 DEALKALIZER	30x72-4 Top Flg	30x48	Fleck 2900/NXT	M	2" FIP	14.0
320771	DWC450/2900NXT S7 DEALKALIZ S/M	30x72-4 T&B	30x50	Fleck 2900/NXT	M	2" FIP	15.0
317804	DWC600/2900NXT S7 DEALKALZ S/M	36x72-4	30x48	Fleck 2900/NXT	M	2" FIP	20.0



SPECIALTY COMMERCIAL UNITS

Greensand Units Our standard commercial Greensand Filter Units are made with GreensandPlus, control valve and polywound or composite tank. We also build these systems using large galvanized or stainless steel tanks, depending on the application. Certain of our builds utilize diaphragm valves, solenoids, and/or chemical dosing pumps to aid in the system's function.

For background, Manganese Greensand has been used for years as a reliable iron and odor filtration media. The original Greensand formula used a glauconite core that was coated with manganese dioxide. "Greensand Plus", which increasingly is becoming the industry standard, is black granular media made by coating silica sand with manganese dioxide. The silica sand core of GreensandPlus allows it to withstand waters that are low in silica, TDS and hardness without breaking down. GreensandPlus can be used as an exact substitute for Manganese Greensand as it has the same effective size, uniformity coefficient, density, weight, capacity, service flow rate, backwash and pressure drop curve. While it works exactly the same as its predecessor, the silica core is much harder, and will have a longer service life before eventually crushing. Call or email Duff for details on sizing, flow rates, and more.

Fig. No.	Description	Mineral Tank Size		Valve Model	Meter/TC	Plumbing Connection	Capacity in Cu. Ft.
89328	DAG7/2850 GREENSAND FILTER	21x62-4	18x33 BT	Fleck 2850 Mech	TC	1-1/2" MIP	7.0
307250	DAG60/3900 40FT3 GRN SND FILTR	48x72-6 T&B Flg	--	Fleck 3900 Mech	TC	3" FIP	40.0
Twin-Tank Systems							
317320	DT9SXT 6FT3 GRN SND FILTER 1"	14x65	Pot Feeder	Fleck 9000/SXT	M	1" FIP	3.0
Duplex Units w/ Chemical Feed							
317934	DAG10/2900NXT S7 GRN SND FILTR	24x72-4	24x72-4 35g Sol Tnk	Fleck 2900/NXT	M	2" FIP	10.0
317933	DAG36/3150NXT S7 GRN SND FILTR	36x72-6 Top Flg	36x72-6 Top Flg 35g Sol Tnk	Fleck 3150/NXT, Aqua-matic Diaphragm Valves	M		36.0
Triplex Units							
205760	DAG90/3900NXT GRN SND TRIPLEX	42x72-6-6	(Continuous feed)	Fleck 3900/NXT	M	3" FIP	30.0
Triplex Units w/ Chemical Feed							
317948	DAG45/3150NXT S6 TRPLX GRN SND	36x72-6 Top Flg	55g Sol Tnk	Fleck 3150/NXT	M	2" FIP	15.0
275047	DAG90/SPEC TRIPLX GRN SND CHEM2	48x72 Steel	55g Sol Tnk	Fleck 3900/NXT, Aqua-matic Diaphragm Valves	M	4" Flanged	30.0

Arsenic Systems Arsenic is a naturally occurring contaminant in some groundwater. Arsenic ingestion, however, may result in short- and long-term health effects. For this reason, the U.S. Environmental Protection Agency has set the limit of allowable arsenic in drinking water, and many states and municipalities have their own, more stringent, regulatory regimes.

To treat arsenic, the first question is whether the contaminant is "arsenic 3"--which must first be oxidized--or "arsenic 5". Oxidants that can convert arsenic 3 to 5 include: liquid chlorine (bleach), hydrogen peroxide, and ozone. Chlorine is the most readily available oxidant for home water treatment. Arsenic removal methods or systems include anion exchange, reverse osmosis, activated alumina, and other types of adsorptive media filters. Each method has its advantages and disadvantages. Call Duff for all your questions about arsenic removal, and which system is right for you and your customers.

Fig. No.	Description	Mineral Tank Size	Valve Model	Meter/TC	Plumbing Connection	Capacity in Cu. Ft.
Metsorb Adsorbitive Media - Simplex Systems						
317461	DWF30/3900NXT 30FT MTR METSORB	42x72-6-6	Fleck 3900/NXT	M	3" FIP	30.0
317458	DWF40/3900NXT 40FT MTR METSORB	48x72-6 T&B Flg	Fleck 3900/NXT	M	3" FIP	40.0
Metsorb Adsorbitive Media - Duplex Systems						
233798	DWF1/WS1 TWIN METSORB SYSTEM	10x44	Clack WS1	TC	1" SharkBite	1.0
314943	DWF20/3900NXT TWIN METSORB SYS	24x72-6 Flg	Fleck 3900/NXT	M	3" FIP	20.0
Anion Resin Systems						
ResinTech ASM-10-HP is a chloride form arsenic selective hybrid anion exchange resin. ASM-10-HP has hydrated iron oxide monoatomically dispersed throughout the polymer. It captures arsenate first by ion exchange and then by absorption into the iron oxide hybrid. ResinTech ASM-10-HP is intended for arsenic removal from potable water, and can also be used as an ion exchanger for removal of uranium and other trace level contaminant.						
Simplex Systems						
199876	DWF3/WS1 ASM10HP ARSENIC SYS	14x65	Clack WS1	TC	1" SWT	3.0
240117	DWF10/7000 ASM10HP ARSENIC SYS	24x50-4	Fleck 7000/SXT	TC		10.0
Duplex Systems						
185158	DWF3/5000SXT TWIN ASM10HP SYS L1	10x44	Fleck 5000/SXT	TC	1" FIP	1.0
185679	DWF3/263LGX TWIN ASM10HP SYS	10x44	Autotrol 263/Logix	TC	3/4" SWT	1.0
235284	DWF3/WS1 TWIN ASM10HP SYSTEM	10x44	Clack WS1	TC & M	1" SWT	1.0

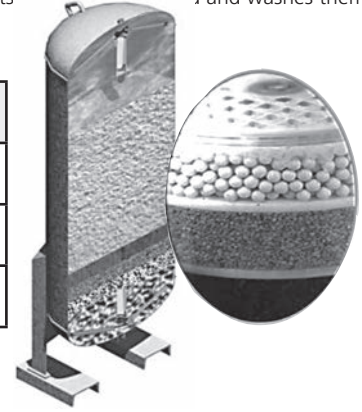
SPECIALTY COMMERCIAL UNITS

Multi-Media Filter Units Single-media filters like sand filters sometimes are ineffective because, as with sand filters, lighter and finer particles are found at the top of the filter bed and coarser, heavier ones remain at the bottom after backwashing; filtering, therefore, only takes place in the top few "es of the filter bed.

In a multi-media filter, in contrast, coarse but lighter particles backwash at the top, while finer but heavier particles remain at the bottom of the bed. The different layers of the filter bed, then, combine so the whole bed acts as a filter, rather than just the top few "es. As a result, turbidity is trapped throughout the bed.

Multi-media filters typically contain several types of media and gravel under bedding. All media included in our filters are carefully selected according to particle size, so the media retains its stratification during backwash and rinse. We also offer countless varieties of different selections of media to create specialized multi-media filters. Automatic backwashing system removes the trapped contaminants within the filter bed and washes them down the drain.

Fig. No.	Description	Mineral Tank Size	Valve Model	Meter/TC	Plumbing Connection	Capacity in Cu. Ft
271830	DWF112/263 MM FILTER 10X54	10x54	Autotrol 263/460TC	TC	3/4" SWT	
314042	DWF15/WS2H 15FT3 FLTR L/M 30"	30x72-6-6 T&B Flg	WS2H Filter	TC	2" FIP	15.0
251075	DWF30/3900 FILTER L/M 48"	48x72-6-6 T&B Flg	Fleck 3900 Mech	TC	3" FIP	30.0



Nitrate Removal Systems Removes nitrates with ResinTech's SIR-100HP, which is a nitrate select anion resin, with a higher affinity for nitrate than other anions. This results in higher operating capacity, lower leakage, and freedom from nitrate dumping if operated past sulfate break. SIR-100-HP is intended for all nitrate removal applications, and can also be used to remove perchlorate. SIR-100-HP is supplied in the chloride form.

Our signature nitrate system in our commercial line of equipment is a twin alternating system, using two 30" tanks and Fleck's 2" 2900 valves.

Fig. No.	Description	Mineral Tank Size	Brine Tank Size	Valve Model	Meter/TC	Plumbing Connection	Capacity in Cu. Ft.
317786	DWC15/2900NXT TWIN NITRATE SYS	30x72-4	30x48	Fleck 2900/NXT	M	2" FIP	15.0

Carbon Filtration

Whether for taste & odor or chlorine removal, we offer a vast array of premium carbons: coal, coconut shell GAS, extruded (pelletized), and other specialty carbons.

Catalytic carbon, such as Centaur® 12x40, concentrates reactants via adsorption and then promotes their reaction on the surface of the pores. Centaur is produced from bituminous coal and can be used for promotion of oxidation, reduction, decomposition, substitution, and elimination reactions. Specific applications include chloramine, hydrogen sulfide, and iron removal from drinking water. Ask us about carbon impregnated with metals or alkali, as well, which perform some similar results.

Fig. No.	Description	Mineral Tank Size	Valve Model	Meter/TC	Plumbing Connection	Capacity in Cu. Ft.
Activated Carbon						
198900	DWF15/2850 15FT3 CARBON FILTER	30x72-4-4 T&B	Fleck 2850 Mech	TC	1-1/2" MIP	15.0
197356	DWF20/3150 15FT SVO CARBON FLT	36x72-4	Fleck 3150 Mech w/ SVO	TC	2" FIP	20.0
192474	DWF40/3900 40FT CARBON FLTR 48	48x72-6-6 T&B Flg	Fleck 3900 Mech	TC	3" FIP	40.0
Catalytic Carbon (Centaur® 12x40)						
269021	DWF82900TWINCENTAURK	24x65 (2x)	Fleck 2900 Mech	TC	2" FIP	8.0
274071	DWF18/WS3 18FT TWIN CENTAUR SY	36x72-6 Flg	Clack WS3	TC	3" FIP	18.0

GOT QUESTIONS?

PROBLEMS

Call or email your DUFF rep today!
610-275-4453
info@duffco.com

est. 1947

DUFF CO.

When you need it now... or don't know how

NEOPRENE ZIP-UP TANK JACKETS



Our exclusive water softener jackets are designed specifically to insulate the softener tank against ambient temperature fluctuations. This reduces the possibility of moisture developing on the outside of the softener as well as provides a touch of style to your whole home water softener or backwash filter. Also, with our black neoprene jackets, there is no added worry of dents or dirt affecting the look of your softener tank.



- Wide variety of sizes
- Keep your resin/media tank dry and in great condition
- Full length back zipper, easy to apply onto already installed tanks
- Easy to remove for machine washing
- Available with or without logo
- Custom silk-screened logo available for additional cost

Part No.	Description*
J835	Neoprene softener jacket 8" x 35" no logo
J844	Neoprene softener jacket 8" x 44" no logo
J948	Neoprene softener jacket 9" x 48" no logo
J1044	Neoprene softener jacket 10" x 44" no logo
J1048	Neoprene softener jacket 10" x 48" no logo
J1054	Neoprene softener jacket 10" x 54" no logo
J1248	Neoprene softener jacket 12" x 48" no logo
J1252	Neoprene softener jacket 12" x 52" no logo
J1354	Neoprene softener jacket 13" x 54" no logo
J1465	Neoprene softener jacket 14" x 65" no logo
J1665	Neoprene softener jacket 16" x 65" no logo

*Other sizes available; *Custom* silk-screening available with additional charge and one-time set-up charge (minimum order quantities)

PORTABLE EXCHANGE - DEIONIZATION / DEMINERALIZATION COMPONENTS

Duff is your home for all your industrial and high-purity water needs. Portable DI/demineralized water services are often a crucial part of our customers' businesses. These movable tanks or cylinders run from 0.5 to 45 cubic feet in capacity, and often incorporate different ion exchange resin types and tank sizes. We carry a deep inventory

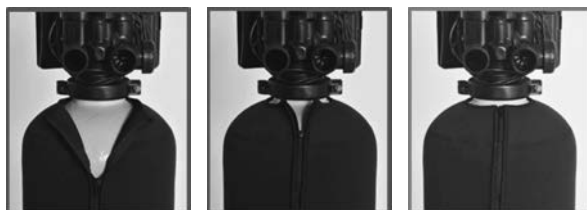
of exchange tanks, heads and fittings, including in/out heads--both with and without fill ports, stainless steel bands, threaded connections, and complete distributor assemblies and quick disconnect fittings. If you have any questions about DI water, we're the place to turn.

Fig. No.	Description
153778	Natural 14x47 Tank w/ 4.5" x 1" x 1" x 1" (fill port and plug) head and complete bottom stack distributor assembly
229813	Blue 14x47 Tank w/ 4.5" x 1" x 1" x 1" (fill port and plug) head and complete bottom stack distributor assembly
95673	DI Head Only - 4.5" X 1" X 1" X 1" (fill port)



NEOPRENE ZIP-UP TANK JACKETS

Our exclusive water softener jackets are designed specifically to insulate the softener tank against ambient temperature fluctuations. This reduces the possibility of moisture developing on the outside of the softener as well as provides a touch of style to your whole home water softener or backwash filter. Also, with our black neoprene jackets, there is no added worry of dents or dirt affecting the look of your softener tank.



OUR EXCLUSIVE WATER SOFTENER JACKETS

- Wide variety of sizes
- Keep your resin/media tank dry and in great condition
- Full length back zipper, easy to apply onto already installed tanks
- Easy to remove for machine washing
- Available with or without logo
- Custom silk-screened logo available for additional cost

Part No.	Description*
J835	Neoprene softener jacket 8" x 35" no logo
J844	Neoprene softener jacket 8" x 44" no logo
J948	Neoprene softener jacket 9" x 48" no logo
J1044	Neoprene softener jacket 10" x 44" no logo
J1048	Neoprene softener jacket 10" x 48" no logo
J1054	Neoprene softener jacket 10" x 54" no logo
J1248	Neoprene softener jacket 12" x 48" no logo
J1252	Neoprene softener jacket 12" x 52" no logo
J1354	Neoprene softener jacket 13" x 54" no logo
J1465	Neoprene softener jacket 14" x 65" no logo
J1665	Neoprene softener jacket 16" x 65" no logo

There's nothing like a cozy tank



TANK JACKETS

These jackets feature high-gloss colors with microfoam insulation. All jackets will fit Structural or Enpress tanks when ordered with appropriate cap except the 8" x 44", which have their own unique part numbers. Order caps separately.

TANK JACKETS

Fig. No.	Color
7" x 44"	
47071	Almond
--	White
--	Blue
--	Black
8" x 44"	
--	Almond
74952	White
199881	Blue
311621	Black
9" x 48"	
50091	Almond
--	White
--	Blue
--	Black
10" x 40"	
51092	Almond
47800	White
--	Blue
63140	Black
10" x 44"	
44614	Almond
87542	White
--	Blue
--	Black
10" x 48"	
--	Almond
--	White
182146	Blue
--	Black
10" x 54"	
48774	Almond
315339	White
110770	Blue
63141	Black
12" x 52"	
64765	Almond
--	White
--	Blue
--	Black

TANK JACKET CAPS

Fig. No.	Tank size
52248	7"
50420	8"
50092	9"
51093	10"
65415	12"



Call
DUFF
Today
for all your
Water Treatment
needs and
questions



How to Order

Submit your order online

or

email info@duffco.com

Be sure to include

product numbers

descriptions

quantities

Don't forget to include your name!

DUFF SUPPLY COMPANY

WATER TREATMENT EQUIPMENT - PUMPS - PLUMBING - HEATING - INDUSTRIAL SUPPLIES - PUMPS
 STEAM SPECIALTIES - PIPE - VALVES - FITTINGS - SOFTENERS - FILTERS

201 EAST LAFAYETTE STREET, P.O. BOX 618, NORRISTOWN, PA 19401

PHONE: 610-275-4453 FAX: 610-279-6299



SOLD TO:

SHIP TO:

YOUR NAME: _____ PURCHASE ORDER NO. _____

TODAY'S DATE: _____ REQUIRED DATE: _____

QTY	FIG. NO.	DESCRIPTION	PRICE/EA	TOTAL



TERMS: NET - 10TH OF MONTH FOLLOWING PURCHASE
 WE WILL PREPAY AND ADD FREIGHT FOR ALL ORDERS SHIPPED UPS OR COMMON CARRIER

All accounts are to be paid in full to Duff Supply Company monthly by the tenth (10th) day of the month following invoice date, a 1% service charge and a 1% interest charge will be made on any balance open at the end of the month following invoice, and in the event that legal action or lien be undertaken, or the service of a collection agency are used to collect this account, the customer shall pay all expenses incurred by Duff Supply Company, such as, but not limited to, costs and collection, legal and lien fees.

QTY	FIG. NO.	DESCRIPTION	PRICE/EA	TOTAL

*Thank You
for your business!*



Contact name _____ Contact Date _____



DUFF COMPANY

201 East Lafayette Street
Norristown, PA 19401



Phone: **610-275-4453** Fax: **610-279-6761**

Legal Name _____

Name in which business is conducted _____

Billing Address _____

City _____ State _____ Zip _____

Purchasing Phone _____ A/P Phone _____ Fax _____



Principal's Name _____

Principal's Address _____

City _____ State _____ Zip _____

Phone (Office) _____ (Cell) _____ E-mail address _____

Website address (If applicable) _____

Primary Contact _____ Title _____



SHIPPING ADDRESS - IF DIFFERENT

Shipping Address _____ Phone _____

City _____ State _____ Zip _____

Tax Exempt Number _____ Provide a copy of Certificate. We CAN NOT set up a Tax Exempt Account without certification.



TYPE OF BUSINESS

Plumbing _____ Pumps _____ Heating _____ Municipality _____ Hotel or Apts. _____ Well Drilling _____
Hospital _____ Factory (OEM) _____ Factory (Mtn) _____ Office Building _____ Shopping Center _____
Golf Course _____ Water Treatment _____ Environmental _____ Other (Please name) _____

Have you been contacted by one of our salesman? _____ Name _____

If YES, please explain _____

Name of person authorized to pick up _____

D&B Rating _____ Check one: Corporation _____ Partnership _____ Individual Proprietor _____

If division of another company, name parent company and relationship _____

DUFF COMPANY

201 East Lafayette Street, Norristown, PA 19401

TRADE REFERENCES

Name _____ Type of business _____

Address _____

City _____ State _____ Zip _____

Phone _____ Fax _____



Name _____ Type of business _____

Address _____

City _____ State _____ Zip _____

Phone _____ Fax _____



Name _____ Type of business _____

Address _____

City _____ State _____ Zip _____

Phone _____ Fax _____



Bank reference _____

Branch Address _____

City _____ State _____ Zip _____

Branch officer who handles account _____

In consideration of your opening the above account and/or extended credit, the undersigned hereby agrees that all information supplied in this application is correct, that all accounts are to be paid in full to Duff Company monthly by the tenth day of the month following the invoice date, that a 1% service charge and a 1% interest charge will be made on any balance open at the end of the month following invoice date, and that in the event that legal action or lien be taken, or the service of a collection agency are used to collect this account, the undersigned shall pay all expenses incurred by the Duff company, such as, but not limited to, collection fees, costs and legal fees.

Applicant (Name of Account) _____

By _____ Title _____

The undersigned _____ and _____ for good and valuable consideration, hereby jointly, severally and personally unconditionally guarantee, warrant and promise the full and prompt (within terms) payments of all bills and other obligations (as set forth above) of the applicant in connection with any credit extended to the applicant by Duff Company.*

Principal _____ Witness _____ Principal's Spouse _____ Witness _____

Principal _____ Witness _____ Principal's Spouse _____ Witness _____

We routinely fax invoices to our customers. Please provide a fax number where we can send invoices _____

PLEASE FAX FORM TO 610-275-6761

*As appropriate, we may also require the guarantee of a principal and, in some cases, the principal's spouse.

For Duff Company Use Only

Credit Limit: _____	Contact: _____	Certificate Recd: _____
Tax Jurisdiction: _____	General Manager _____	Type: _____
Salesman: _____	Class: _____	Controller: _____
	Date Approved: _____	